

Noise Figure Downconverters -Series THZBDC-XXFBE

General Features

- Full band coverage from 40-170 GHz in waveguide bands
- Compatible with noise figure meters and spectrum analyzers*
- Swept frequency measurement
- Compatible solid state noise source provided
- Use with internal spectrum analyzer signal generator**
- Extend noise measurements to mm-wave bands



Specifications

Model	Frequency Range (GHz)	LO Input Freq (GHz)	Noise Source ENR (dB) typical	Test Range, NF / Gain (dB)	Waveguide Interfaces
THZBDC-19FBE	40 - 60	10.0-15.0	13 +/- 1.5	Noise Figure: 0-20 Gain: -20 to +30	WR 19, UG383/U-M
THZBDC-15FBE	50 - 75	8.33-12.5	13 +/- 1.5		WR 15, UG385/U
THZBDC-12FBE	60 - 90	10.0-15.0	13 +/- 1.5		WR 12, UG387/U-M
THZBDC-10FBE	75 - 110	9.37-13.75	12 +/- 1.5		WR 10, UG387/U-M
THZBDC-08FBE	90-140	7.5-11.67	12 +/- 1.5		WR 08, UG387/U-M
THZBDC-06FBE	110-170	9.17-14.17	12 +/- 2.5		WR 06, UG387/U-M

Notes

- 1.*Keysight N8975A/B Noise Figure Meter, various R & S or Keysight Spectrum Analyzers**
2. LO/IF connectors SMA-F
3. IF output 10 MHz - 3 GHz
4. Overall gain 30 dB typical, NF 10 – 15 dB typical
5. DC power: +12 V < 1 A typical (TBC)
6. Noise Source supplied with isolator and calibration data
7. Converter Module 67 x 99 X 180 mm (TBC)

Figure 1. Downconverter Module with Noise Source

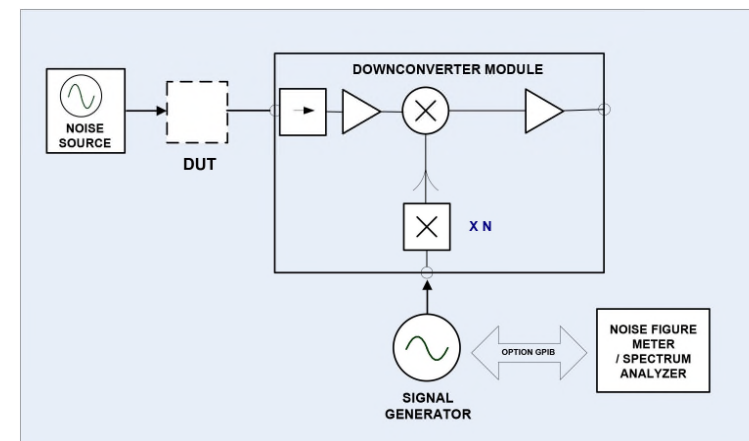


Figure 2. Noise Test Set Measurement System