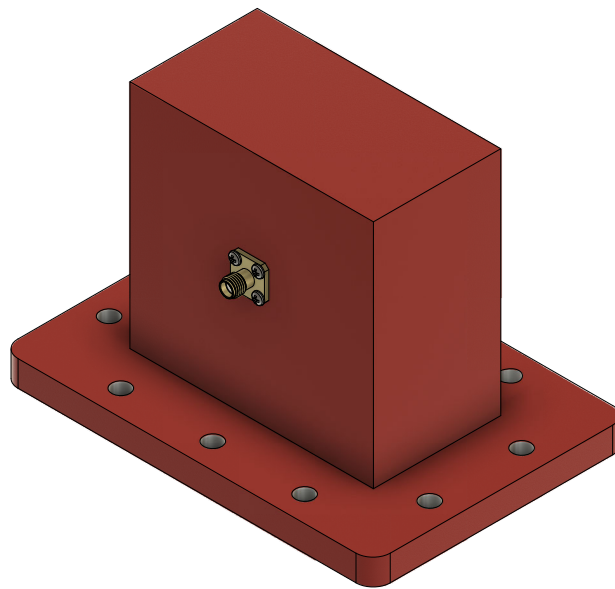
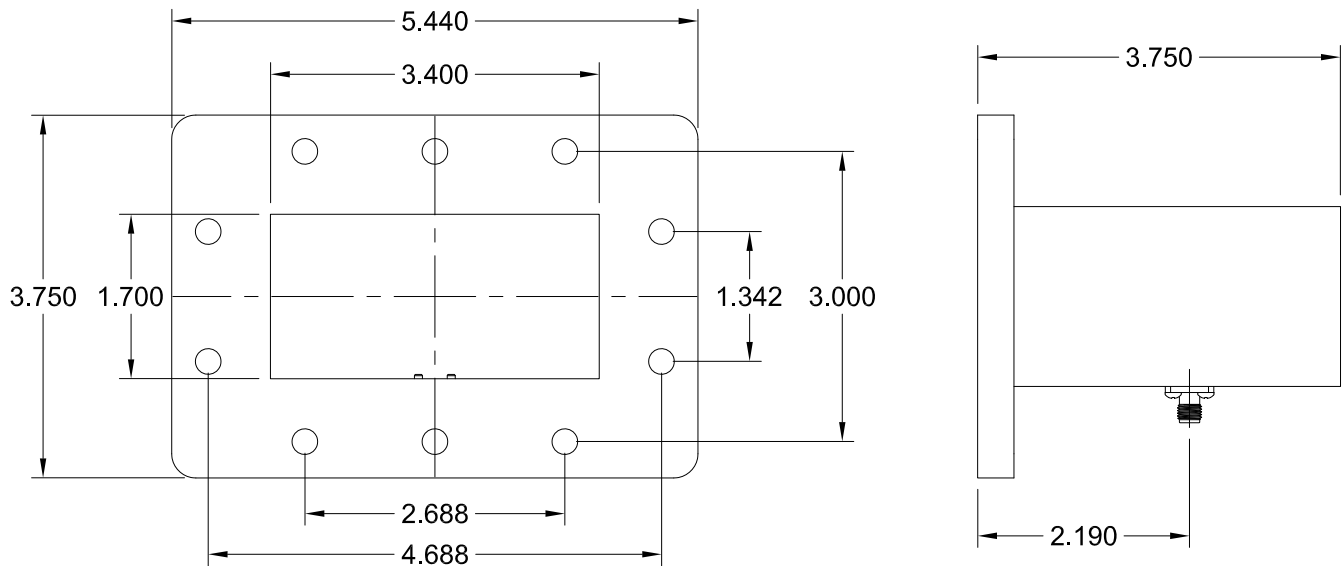


DATASHEET

RIGHT ANGLE WR340 WG-COAX ADAPTER								
MODEL NUMBER	WG SIZE	FREQ. (GHz)	INSERTION LOSS (dB)	VSWR MAX	FLANGE	CONNECTOR	CW POWER (W)	PEAK POWER (kW)
WGC340A-F2-C3-ITI	WR340	2.20-3.30	0.12	1.25	CPRF	TYPE N F	200	3
WGC340A-F2-C1-ITI	WR340	2.20-3.30	0.12	1.25	CPRF	SMA F	50	3



1989 Union Blvd, Bay Shore, NY 11706 USA
 Tel: 631-968-4116 Fax: 631-968-8339
 Website: www.impulse-tech.com



REV	DESCRIPTION	DATE	APPROVED
A	INITIAL RELEASE	12/19/2024	DA
REVISION HISTORY			