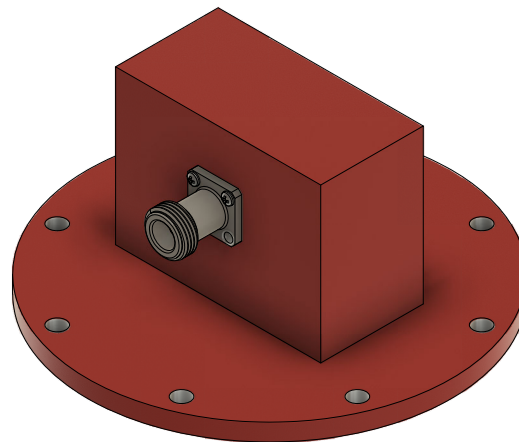
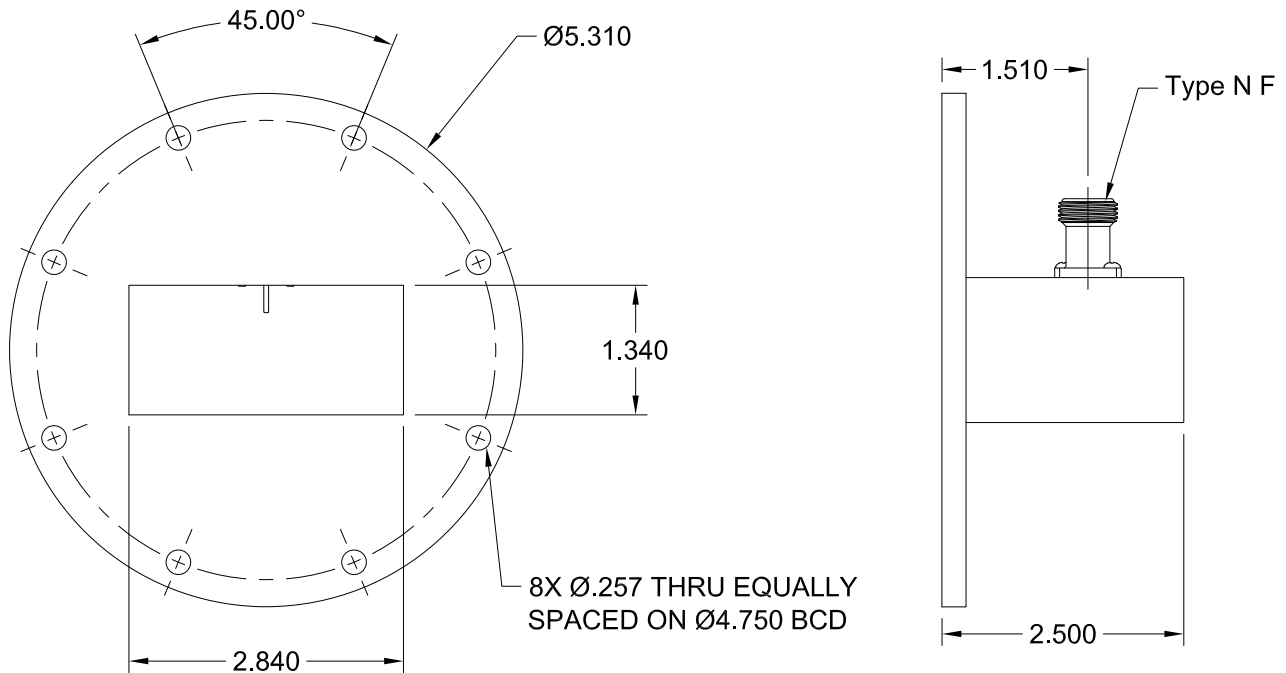


## DATASHEET

### RIGHT ANGLE WR284 WG-COAX ADAPTER

MODEL NUMBER	WG SIZE	FREQ. (GHz)	INSERTION LOSS (dB)	VSWR MAX	FLANGE	CONNECTOR	CW POWER (W)	PEAK POWER (kW)
WGC284A-F6-C3-IT1	WR284	2.6-3.95	0.13	1.25	COVER	Type N F	200	3



1989 Union Blvd, Bay Shore, NY 11706 USA

Tel: 631-968-4116 Fax: 631-968-8339

Website: [www.impulse-tech.com](http://www.impulse-tech.com)



REV	DESCRIPTION	DATE	APPROVED
B	ADDED PEAK POWER SPECIFICATION	5/15/2024	DA
REVISION HISTORY			