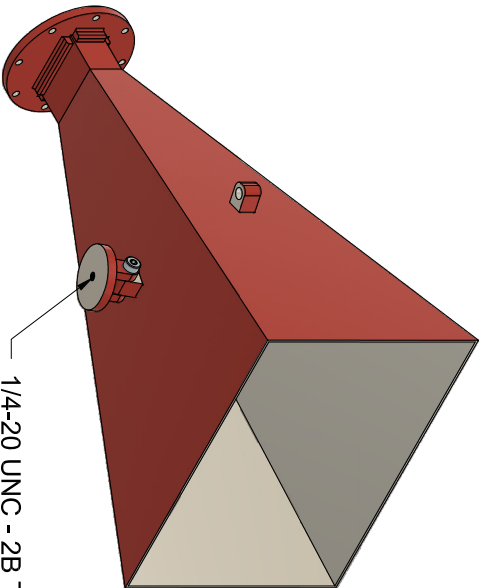
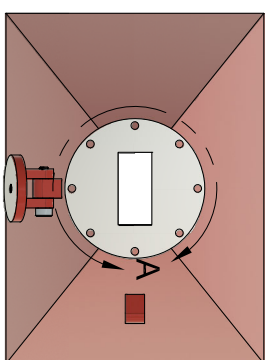
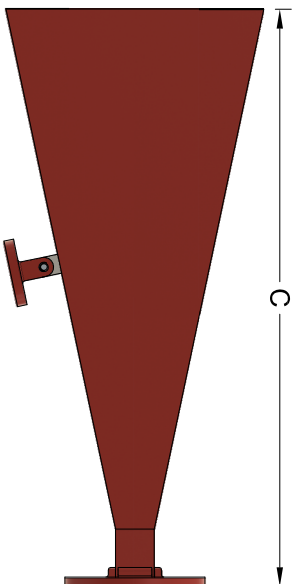
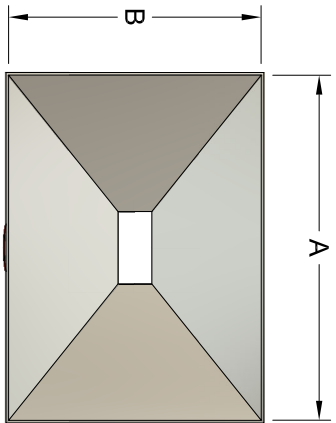
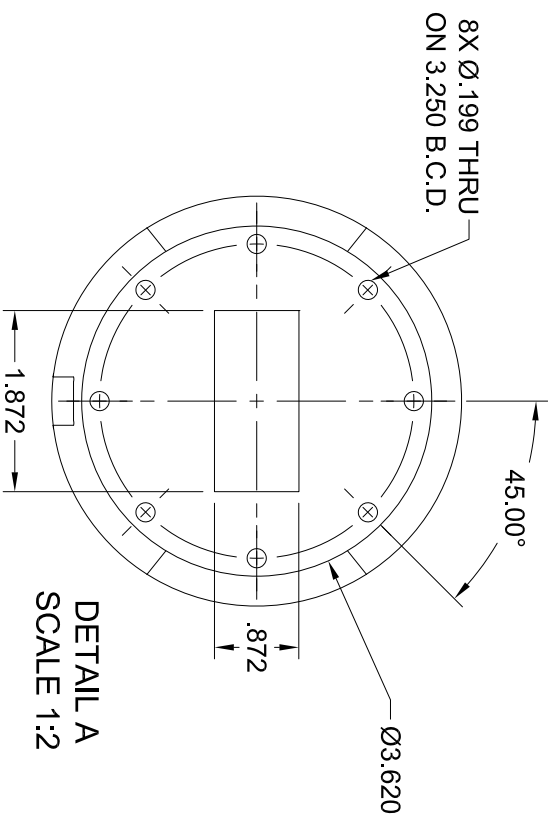


REVISION HISTORY

REV	DESCRIPTION	DATE	APPROVED
A	INITIAL RELEASE	11/9/2023	DA



1/4-20 UNC - 2B THRU FOR TRIPOD MOUNTING



WR187 20dB GAIN HORN ANTENNA							
WG SIZE	FREQ. (GHz)	GAIN (dB)	3dB Beam Width (E-Plane)	3dB Beam Width (H-Plane)	Dim. A (in)	Dim. B (in)	Dim. C (in)
WR187	3.95-5.85	20	18.9°	19.2°	8.92	6.53	14.925

THIRD ANGLE PROJECTION:

APPROVALS

DATE

UNLESS OTHERWISE NOTED, DIMENSIONS ARE IN INCHES, TOLERANCES ARE:

DRAWN: Dirk Aubram
 CHCKD.:
 APRVD.:
 MATERIAL: ALUMINUM

DATE: 11/9/2023

FRACTIONS: ±1/64 ANGLES: ±1/2° MACHINED FINISH: 63 OR BETTER

DECIMALS

WR187 20dB Gain Horn

2 PLACE ±.01
 3 PLACE ±.003

TREATMENT FINISH

SIZE: 6CDA9
 SCALE: 1:5
 MODEL#: SGH187-20-ITI



THE INFORMATION IN THIS DRAWING IS PROPRIETARY AND SHALL NOT BE REPRODUCED OR TRANSMITTED IN ANY FORM OR BY ANY MEANS WITHOUT THE WRITTEN CONSENT OF IMPULSE TECHNOLOGIES INC.

