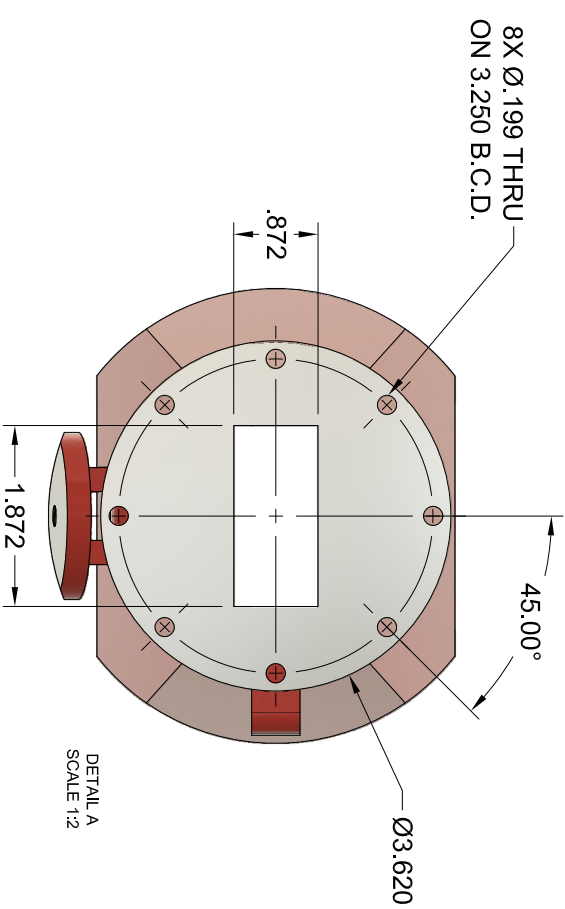
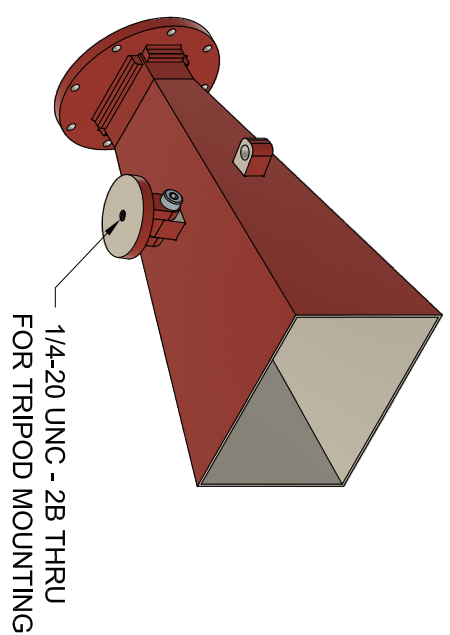
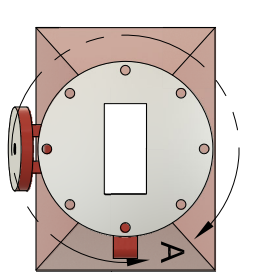
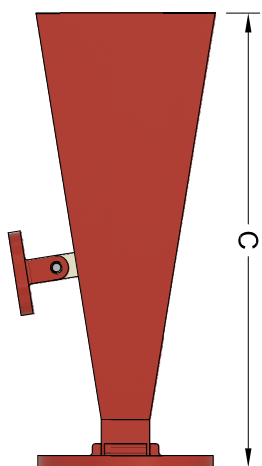
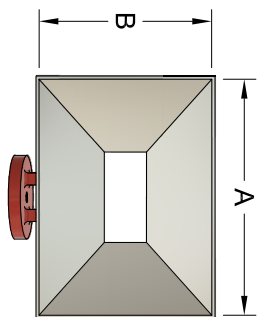


REVISION HISTORY

REV	DESCRIPTION	DATE	APPROVED
A	INITIAL RELEASE	11/10/2023	DA



WR187 15dB GAIN HORN ANTENNA			
WG SIZE	FREQ. (GHz)	GAIN (dB)	3dB Beam Width (E-Plane)
WR187	3.95-5.85	15	33.8°
			33.3°
			4.88
			3.57
			9.4

THIRD ANGLE PROJECTION:	APPROVALS	DATE
	DRAWN: Dirk Audraem CHECKD.: APRVD.: MATERIAL: ALUMINUM 6061 TREATMENT: FINISH: PAINT, RED	11/10/2023

WR187 15dB Gain Horn

THE INFORMATION IN THIS DRAWING IS PROPRIETARY AND SHALL NOT BE USED OR REPRODUCED IN ANY MANNER WITHOUT THE WRITTEN CONSENT OF IMPULSE TECHNOLOGIES INC.

DECIMALS		FRACTIONS: ±1/64 ANGLES: ±1/2° MACHINED FINISH: 63 OR BETTER		SIZE	SCALE	MODEL#	REVISION
2 PLACE	3 PLACE			CAGE CODE: ITDRAWING#	1:4	SGH187-15-ITI	A
±.01	±.003			6CDA9			SHEET
							1/1

