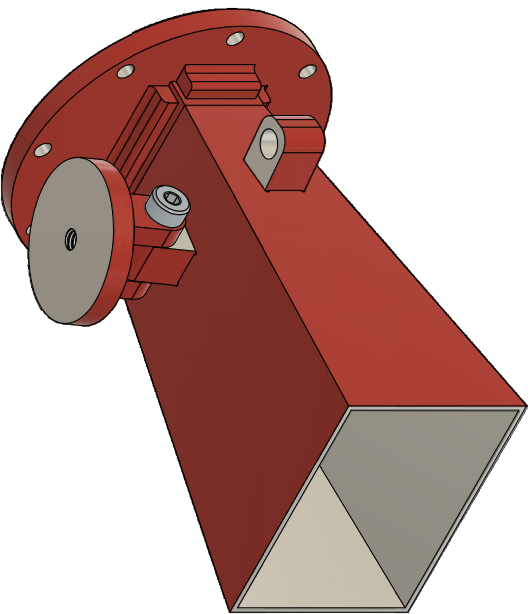
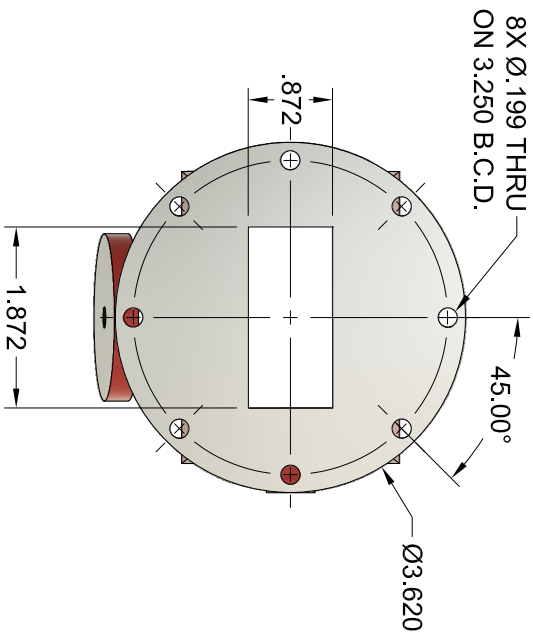
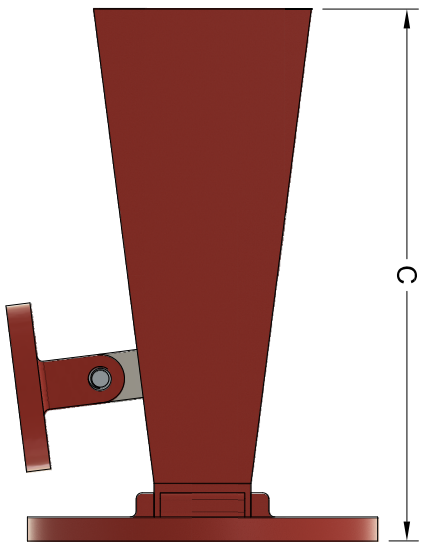
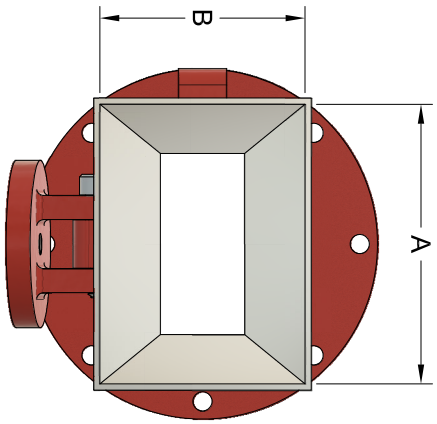


REVISION HISTORY

REV	DESCRIPTION	DATE	APPROVED
A	INITIAL RELEASE	11/10/2023	DA



WR187 10dB GAIN HORN ANTENNA							
WG SIZE	FREQ. (GHz)	GAIN (dB)	3dB Beam Width (E-Plane)	3dB Beam Width (H-Plane)	Dim. A (in)	Dim. B (in)	Dim. C (in)
WR187	3.95-5.85	10	55.0°	54.1°	2.89	2.12	5.50

THIRD ANGLE PROJECTION:

APPROVALS

DATE

UNLESS OTHERWISE NOTED, DIMENSIONS ARE IN INCHES, TOLERANCES ARE:

FRACTIONS: ±1/64 ANGLES: ±1/2° MACHINED FINISH: 63 OR BETTER

DRAWN: Dirk Audbram
 CHECKD.:
 APRVD.:
 MATERIAL:

DATE: 11/10/23

WR187 10dB Gain Horn



THE INFORMATION IN THIS DRAWING IS PROPRIETARY AND SHALL NOT BE USED OR REPRODUCED IN ANY MANNER WITHOUT THE WRITTEN CONSENT OF IMPULSE TECHNOLOGIES, INC.



DECIMALS	2 PLACE	3 PLACE	TREATMENT	FINISH	SIZE	PACKAGE CODE	MODEL#	REVISION
±.01	±.003				1:2	6CDA9	SGH187-10-IT1	A

DRAWING# OTL187-10-IT1
 SHEET 1/1