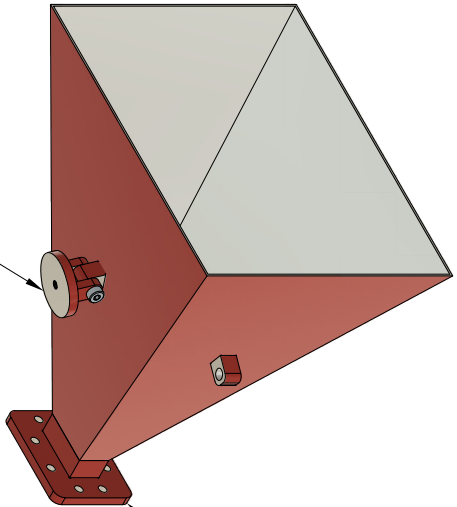
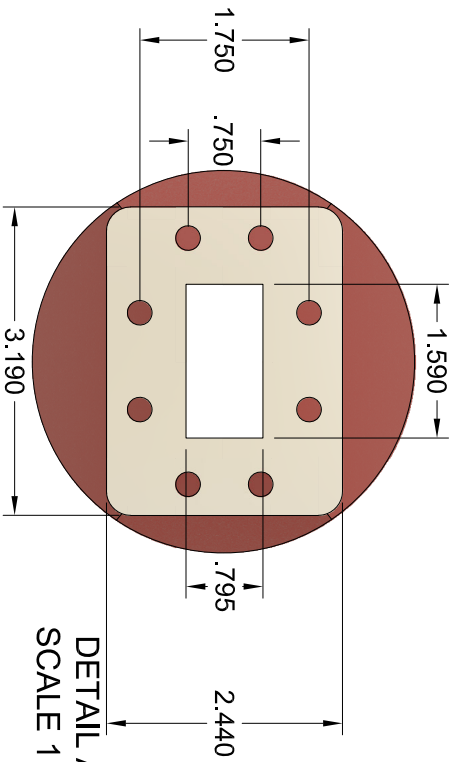
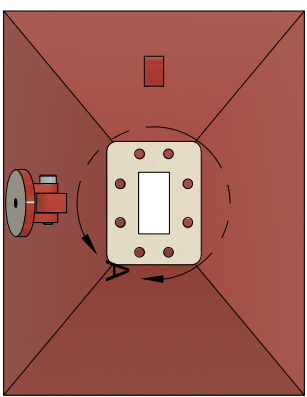
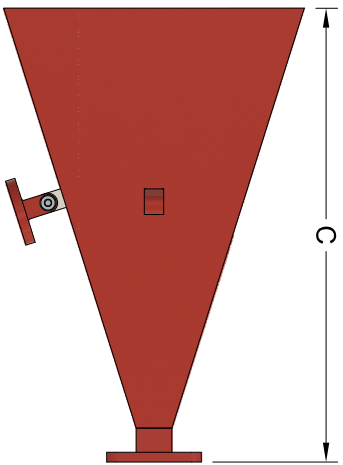
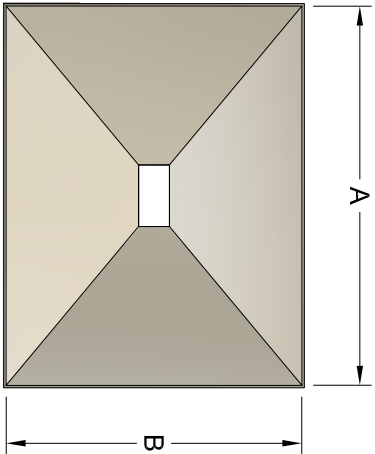


REVISION HISTORY

REV	DESCRIPTION	DATE	APPROVED
A	INITIAL RELEASE	2/6/2024	DA



1/4-20 UNC-2B THRU FOR TRIPOD MOUNTING

WR159 20dB GAIN HORN ANTENNA			
WG SIZE	FREQ. (GHz)	GAIN (dBi)	3dB Beam Width (E-Plane)
WR159	4.9-7.05	20	14.2°
			3dB Beam Width (H-Plane)
			16.9°
			Dim. A (in)
			9.8
			Dim. B (in)
			7.64
			Dim. C (in)
			11.73

THIRD ANGLE PROJECTION:

APPROVALS

DATE

UNLESS OTHERWISE NOTED, DIMENSIONS ARE IN INCHES. TOLERANCES ARE:

DRAWN: Dirk Audbram

DATE: 2/6/24

FRACTIONS: ±1/64 ANGLES: ±1/2° MACHINED FINISH: 63 OR BETTER

CHKD.:

APRVD.:

DECIMALS

MATERIAL: ALUMINUM

SIZE: 6CDA9

2 PLACE

TREATMENT: CHEMFILM

SCALE: 1:5

±.01

FINISH: RED

MODEL#: SGH159-20-ITI

WR159 20dB HORN ANTENNA



THE INFORMATION IN THIS DRAWING IS PROPRIETARY AND SHALL NOT BE REPRODUCED OR TRANSMITTED IN ANY FORM OR BY ANY MEANS WITHOUT THE WRITTEN CONSENT OF IMPULSE TECHNOLOGIES, INC.

