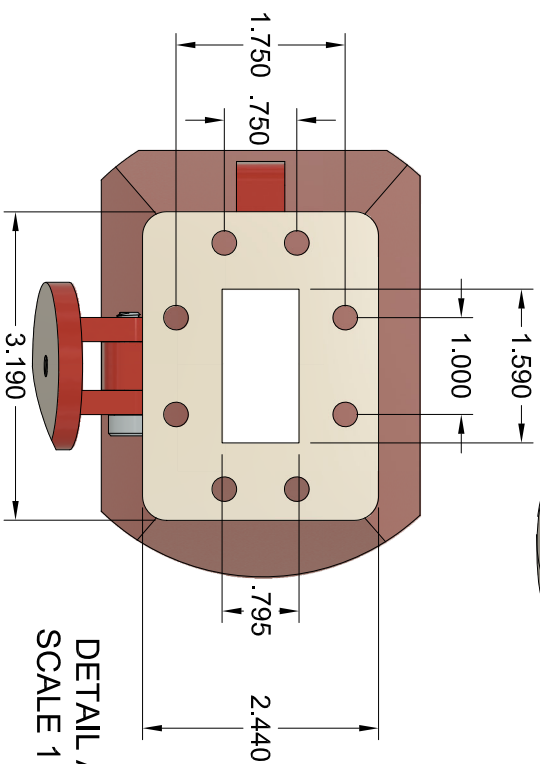
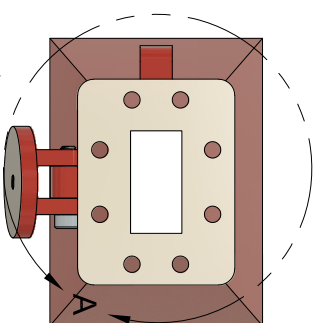
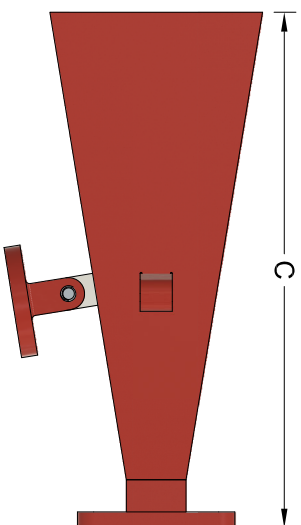
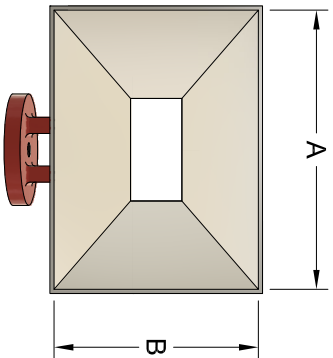
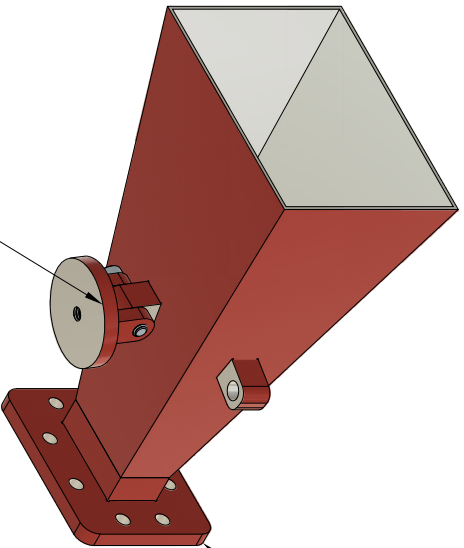


REVISION HISTORY

REV	DESCRIPTION	DATE	APPROVED
A	INITIAL RELEASE	10/2/2024	DA



WR159 CPRF FLANGE



1/4-20 UNC-2B THRU FOR TRIPOD MOUNTING

WR159 15dB GAIN HORN ANTENNA				3dB Beam Width (E-Plane)	3dB Beam Width (H-Plane)	Dim. A (in)	Dim. B (in)	Dim. C (in)
WG SIZE	FREQ. (GHz)	GAIN (dBi)	15	31.3°	30.8°	4.35	3.17	8.0
WR159	4.9-7.05							

THIRD ANGLE PROJECTION:

APPROVALS

DATE

UNLESS OTHERWISE NOTED, DIMENSIONS ARE IN INCHES, TOLERANCES ARE:

DRAWN: Dirk Audbram
CHKD.:
APRVD.:

10/2/24

THE INFORMATION IN THIS DRAWING IS PROPRIETARY AND SHALL NOT BE USED OR REPRODUCED IN ANY MANNER WITHOUT THE WRITTEN CONSENT OF IMPULSE TECHNOLOGIES INC.

FRACTIONS: 1/64 ANGLES: 1/2° MACHINED FINISH: 63 OR BETTER

MATERIAL: ALUMINUM

SIZE: 6CDA9

WR159 15dB HORN ANTENNA



DECIMALS	3 PLACE
±.01	±.003

TREATMENT	FINISH
CHEMFILM	RED

SCALE	MODEL#
1:3	SGH159-15-1T1

REVISION	SHEET
A	1/1