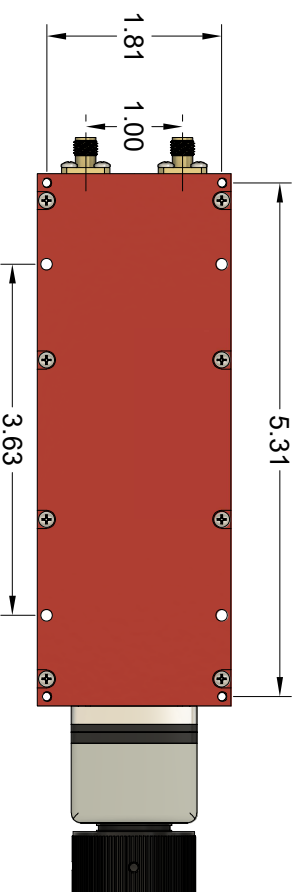
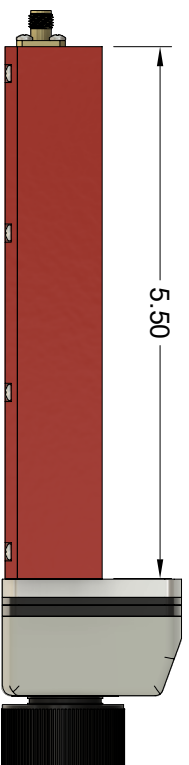
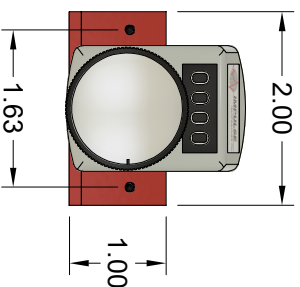
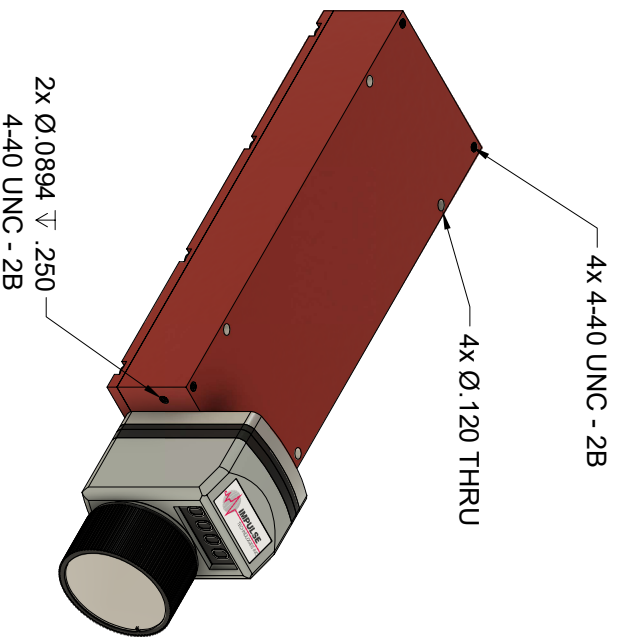


REVISION HISTORY			
REV	DESCRIPTION	DATE	APPROVED
A	INITIAL RELEASE	12/6/2022	DA
B	CORRECTED VARIOUS SPECIFICATIONS	12/13/2023	DA

5.50" MANUAL ADJUSTABLE PHASESHIFTER W/ DIAL



60° PHASE SHIFTERS				
Model #	Freq. (GHz)	Min. Phase Adjust	I.L. (dB max.)	VSWR max
P55003D-ITI	DC-2.3	0-60°/GHz	0.5	1.5
P55004D-ITI	DC-4.3	0-60°/GHz	0.5	1.5
P55005D-ITI	DC-8.2	0-60°/GHz	0.6	1.5
P55006D-ITI	DC-12.7	0-60°/GHz	0.7	1.5
P55007D-ITI	DC-18.6	0-60°/GHz	1.0	1.6
P55008D-ITI	DC-26.5	0-60°/GHz	1.5	2.0

General Specifications	
Electrical	Mechanical
RF Power: 100W avg., 3kW peak	Size: 5.5" x 2.0" x 1.0"
RF Connectors: SMA F	Body: Aluminum
Min. Adj. Phase Shift: 0 to 60°/GHz	Control: ¼" dia. multi-turn shaft
Insertion Phase @ 1GHz: 320° (min. setting)	Finish: Urethane Paint Finish, Color Red

THIRD ANGLE PROJECTION:		APPROVALS		DATE	
UNLESS OTHERWISE NOTED, DIMENSIONS ARE IN INCHES, TOLERANCES ARE:		DRAWN	Dirk Aubram	12/6/22	
FRACTIONS: 1/164 ANGLES: 1/12°		CHECKD.			
MACHINED FINISH: 63 OR BETTER		APRVD.			
DECIMALS		MATERIAL		DRAWING	
2 PLACE	3 PLACE	TREATMENT		5.5" PHASESHIFTER, DIAL, OUTLINE	
±.01	±.003	FINISH		SIZE	PACKAGE CODE/IT DRAWING#
				SCALE	6CDA9
				MODEL#	OTL5.5PHSD-ITI
				SEE TABLE	REVISION
					B
					SHEET
					1/1

