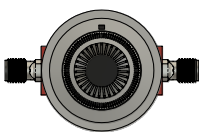
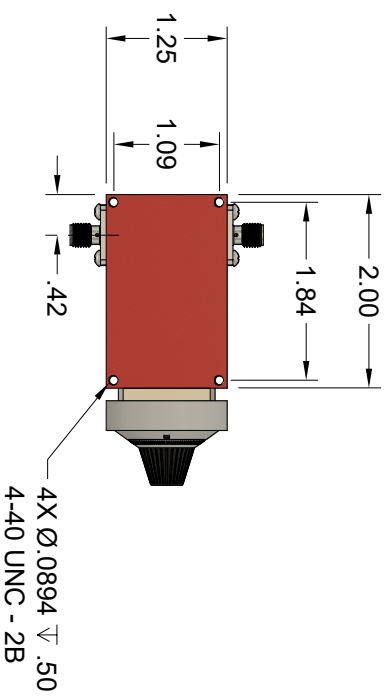


REVISION HISTORY			
REV	DESCRIPTION	DATE	APPROVED
A	INITIAL RELEASE	11/27/2023	DA

FREQUENCY FLAT MODELS				
Freq. (GHz)	Atten. Range (dB)	VSWR Max	Flatness (+/- dB)	Model No.
2.0-4.0	10	1.7	1.5	AF874-10-1TI
3.6-6.5	20	1.5	1.3	AF875C-20-1TI
3.6-4.3	20	1.5	0.5	AF875C1-20-1TI
5.8-6.5	20	1.5	0.5	AF875C2-20-1TI
4.0-8.0	10	1.5	2.0	AF875-10-1TI
7.2-8.4	20	1.5	1.0	AF875X-20-1TI
8.0-12.4	10	1.5	1.0	AF876-10-1TI
10.7-12.75	20	1.5	0.8	AF876X-20-1TI
10.7-14.5	20	1.5	1.5	AF876K-20-1TI
12.4-18.0	10	1.5	1.0	AF877-10-1TI
17.0-18.6	20	1.5	1.0	AF877J-20-1TI
8.0-18.0	20	1.6	2.0	AF876H-20-1TI

LEVEL ADJUST MODELS				
Freq. (GHz)	Atten. Range (dB)	VSWR Max	Flatness (+/- dB)	Model No.
1.0-2.0	10	1.8	N/A	AV873-10-1TI
2.0-4.0	20	1.5	N/A	AV874-20-1TI
2.0-8.0	20	1.5	N/A	AV874F-20-1TI
4.0-8.0	30	1.5	N/A	AV875-30-1TI
4.0-12.4	30	1.5	N/A	AV875G-30-1TI
8.0-12.4	40	1.5	N/A	AV876-40-1TI
8.0-18.0	40	1.5	N/A	AV876H-40-1TI



General Specifications:
 RF Power: 5W average, 3kW peak
 RF Connectors: SMA F
 INSERTION LOSS: 0.5dB max
 VSWR: 1.5:1 max, on most models

Attenuator Drive Option:
 Dial Control Option:
 Change AV0 or AF0 to AV8 or AF8

THIRD ANGLE PROJECTION:		APPROVALS	DATE	 AV/AF87 SERIES OUTLINE		REVISION
UNLESS OTHERWISE NOTED, DIMENSIONS ARE IN INCHES, TOLERANCES ARE:		DRAWN	11/27/23	SIZE	CAGE CODE/DRAWING#	A
FRACTIONS: ±1/64 ANGLES: ±1/2° MACHINED FINISH: 63 OR BETTER		CHKD.		SCALE	MODEL#	SHEET
DECIMALS		APRVD.		1:2		1/1
2 PLACE	3 PLACE	TREATMENT		6CDA9	OTL-AX87-XX-1TI	
±.01	±.003	FINISH				



THE INFORMATION IN THIS DRAWING IS UNCLASSIFIED AND SHALL NOT BE REPRODUCED OR TRANSMITTED IN ANY FORM OR BY ANY MEANS WITHOUT THE WRITTEN CONSENT OF IMPULSE TECHNOLOGIES INC.