

REVISION HISTORY			
REV	DESCRIPTION	DATE	APPROVED
A	INITIAL RELEASE	11/27/2023	DA

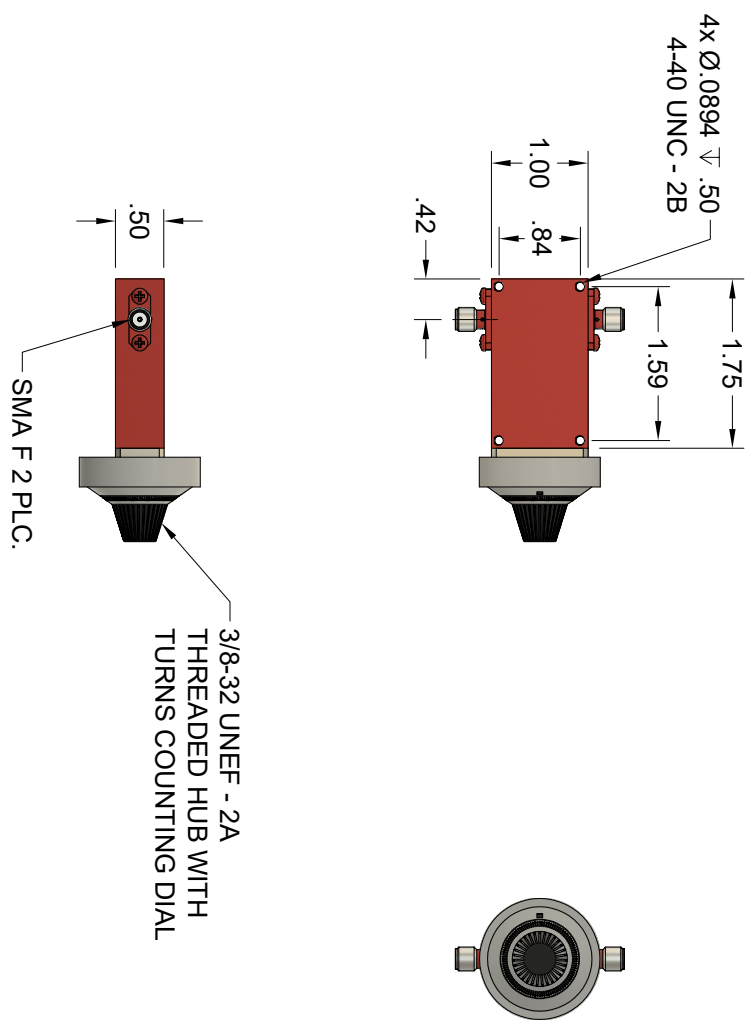
FREQUENCY FLAT MODELS				
Freq. (GHz)	Atten. Range (dB)	VSWR Max	Flatness (+/- dB)	Model No.
2.0-4.0	10	1.6	1.5	AF864-10-ITI
3.6-6.5	10	1.5	0.8	AF865C-10-ITI
3.6-4.3	20	1.5	0.5	AF865C1-20-ITI
5.8-6.5	20	1.5	0.5	AF865C2-20-ITI
4.0-8.0	10	1.5	2.0	AF865-10-ITI
7.2-8.4	20	1.5	1.0	AF865X-20-ITI
8.0-12.4	10	1.5	1.0	AF866-10-ITI
10.7-12.7	20	1.5	0.8	AF866X-20-ITI
10.7-14.5	20	1.5	1.5	AF866K-20-ITI
13.0-14.5	30	1.5	0.5	AF867K-30-ITI
12.4-18.0	10	1.5	1.0	AF867-10-ITI
17.0-18.6	20	1.5	1.0	AF867J-20-ITI
8.0-18.0	20	1.7	1.8	AF866H-20-ITI
14.0-26.0	20	1.7	1.0	AF868-20-ITI

LEVEL ADJUST MODELS				
Freq. (GHz)	Atten. Range (dB)	VSWR Max	Flatness (+/- dB)	Model No.
2.0-4.2	10	1.5	N/A	AV864-10-ITI
3.7-8.0	20	1.5	N/A	AV865-20-ITI
7.9-12.7	30	1.5	N/A	AV866-30-ITI
11.7-18.0	30	1.5	N/A	AV867-30-ITI
14.0-26.5	20	1.7	N/A	AV868-20-ITI

MULTIBAND MODELS				
Freq. (GHz)	Atten. Range (dB)	VSWR Max	Flatness (+/- dB)	Model No.
2.0-8.0	10	1.5	N/A	AV864F-10-ITI
4.0-12.4	20	1.5	N/A	AV865G-20-ITI
4.0-18.0	10	1.5	N/A	AV865H-10-ITI
6.0-18.0	30	1.5	N/A	AV866H-30-ITI

General Specifications:
 RF Power: 5W average, 3KW peak
 RF Connectors: SMA F
 INSERTION LOSS: 0.5dB max
 VSWR: 1.5:1 max, on most models

Attenuator Drive Option:
 Dial Control Option:
 Change AV0 or AF0 to AV8 or AF8



THIRD ANGLE PROJECTION:		APPROVALS	DATE	SIZE	SCALE	MODEL#	REVISION
UNLESS OTHERWISE NOTED, DIMENSIONS ARE IN INCHES, TOLERANCES ARE:		DRAWN Dirk Aldbran	11/27/23	CAGE CODE/ITD DRAWING#	6CDA9	OTL-AX86-XX-ITI	A
FRACIONS: ±1/64 ANGLES: ±1/2° MACHINED FINISH: 63 OR BETTER		CHKD:					1/1
		APRVD:					
		MATERIAL:					
		TREATMENT:					
		FINISH:					
2 PLACE ±.01	3 PLACE ±.003						



AV/AF86 SERIES OUTLINE

THE INFORMATION IN THIS DRAWING IS THE PROPERTY OF IMPULSE TECHNOLOGIES INC. SHALL NOT BE USED OR REPRODUCED IN ANY MANNER WITHOUT THE WRITTEN CONSENT OF IMPULSE TECHNOLOGIES INC.