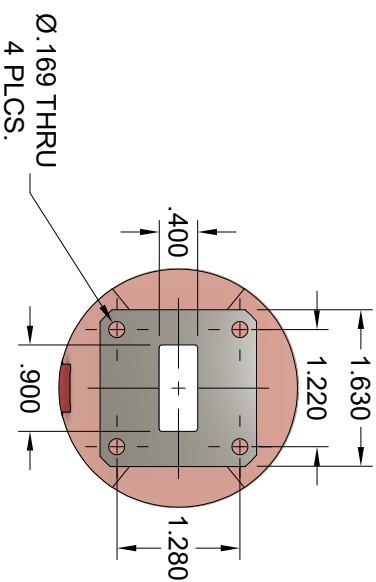
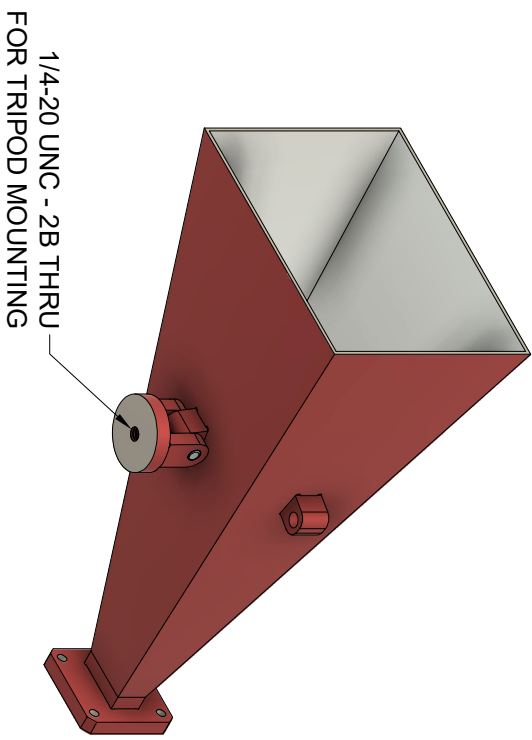
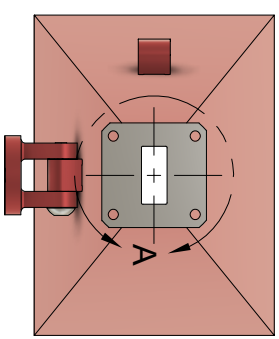
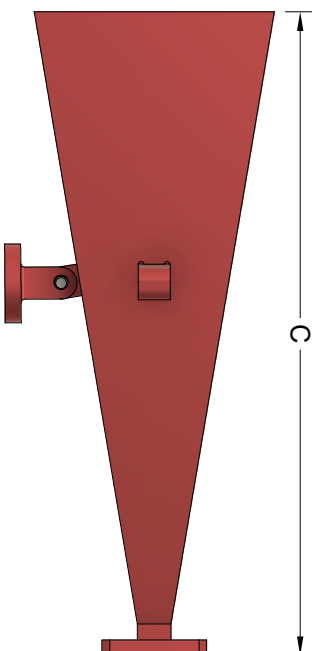
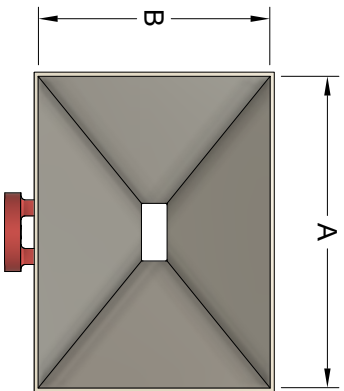


REVISION HISTORY

REV	DESCRIPTION	DATE	APPROVED
A	INITIAL RELEASE	8/1/2022	DA



DETAIL A
SCALE 1:2

WR90 20dB GAIN HORN ANTENNA							
WG SIZE	FREQ. (GHz)	GAIN (dB)	3dB Beam Width (E-Plane)	3dB Beam Width (H-Plane)	Dim. A (in)	Dim. B (in)	Dim. C (in)
WR90	8.2-12.4	20	16.1°	16.5°	4.87	3.62	10.06

THIRD ANGLE PROJECTION:		APPROVALS		DATE	
UNLESS OTHERWISE NOTED DIMENSIONS ARE IN INCHES TOLERANCES ARE:		DRAWN	Dirk Aubram	8/1/22	
FRACTIONS: ±1/64 ANGLES: ±1/2° MACHINED FINISH: B3 OR BETTER		CHKD.			
DECIMALS		APRVD.			
2 PLACE		MATERIAL	ALUMINUM		
3 PLACE		TREATMENT	CHEMFILM		
±.03		FINISH	RED		
DRAWING					
WR90 20DB HORN ANTENNA, OUTLINE					
SIZE		PAGE CODE		DRAWING#	
SCALE		6CDA9		OTL90-20-ITI	
1:3		MODEL#		SGH90-20-ITI	
REVISION					
A					
SHEET					
1/1					

