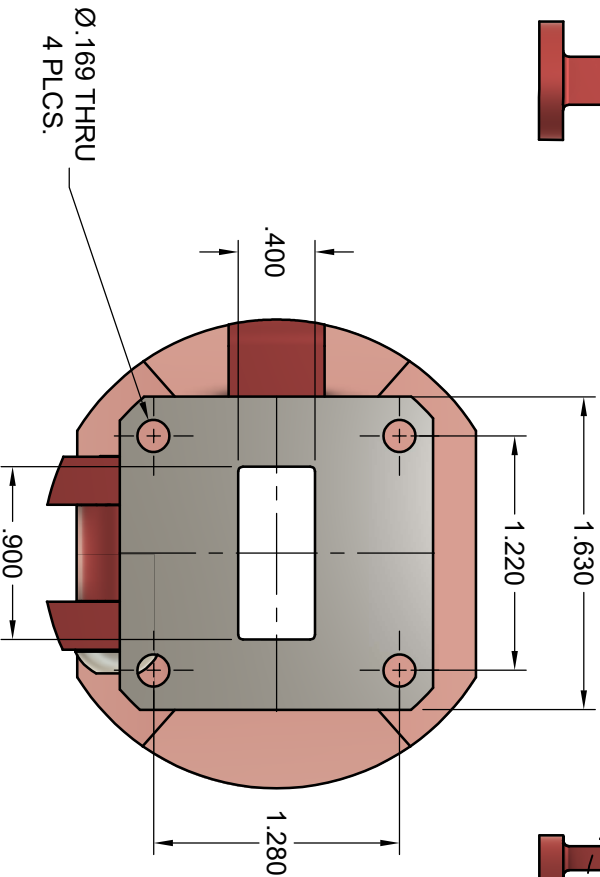
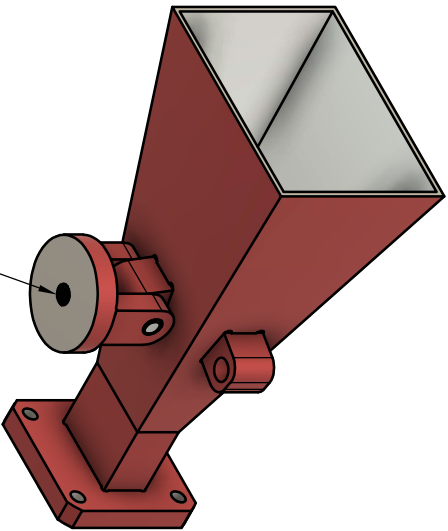
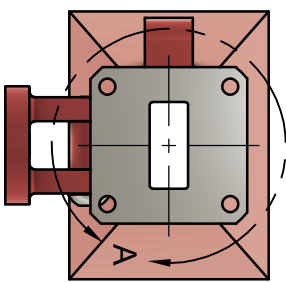
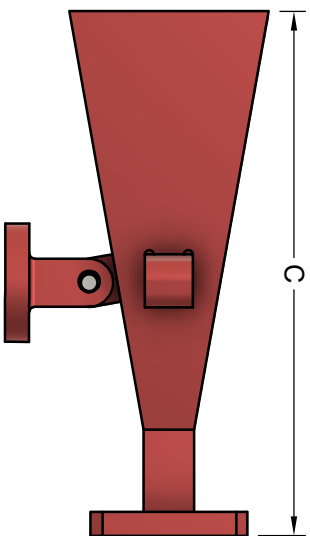
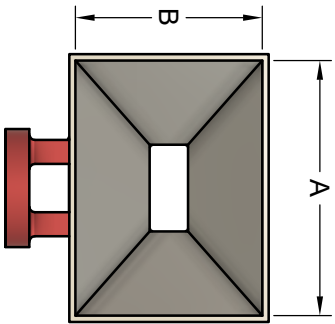


REVISION HISTORY

REV	DESCRIPTION	DATE	APPROVED
A	INITIAL RELEASE	8/1/2022	DA



DETAIL A  
SCALE 1:1

WR90 15dB GAIN HORN ANTENNA							
WG SIZE	FREQ. (GHz)	GAIN (dB)	3dB Beam Width (E-Plane)	3dB Beam Width (H-Plane)	Dim. A (in)	Dim. B (in)	Dim. C (in)
WR90	8.2-12.4	15	29.3°	29.0°	2.66	1.95	5.46

THIRD ANGLE PROJECTION:



APPROVALS

DATE

UNLESS OTHERWISE NOTED DIMENSIONS ARE IN INCHES TOLERANCES ARE:

DRAWN: Dirk Aulobram  
CHECKD:  
APPRVD:

8/1/22

FRACTIONS: ±1/64 ANGLES: ±1/2° MACHINED FINISH: 63 OR BETTER

MATERIAL: ALUMINUM

DECIMALS

TREATMENT: CHEMFILM

±.03

FINISH: RED

DRAWING

WR90 15DB HORN ANTENNA, OUTLINE



SIZE: PAGE CODE: TT DRAWING#

SCALE: 1:2

MODEL#: SGH90-15-ITI

REVISION: A SHEET 1/1