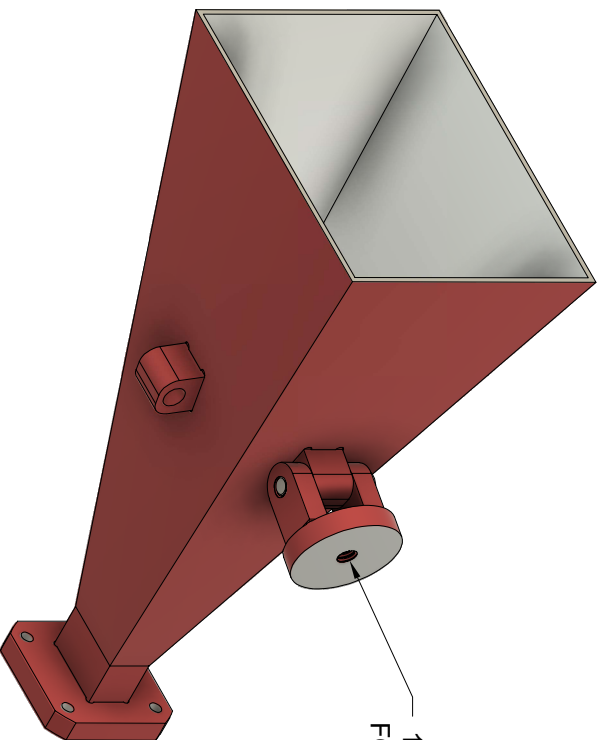
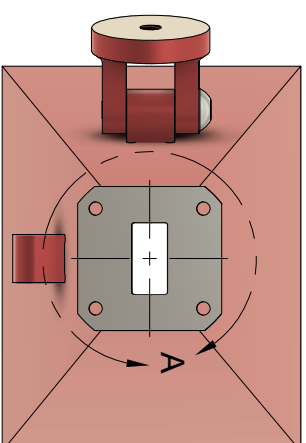
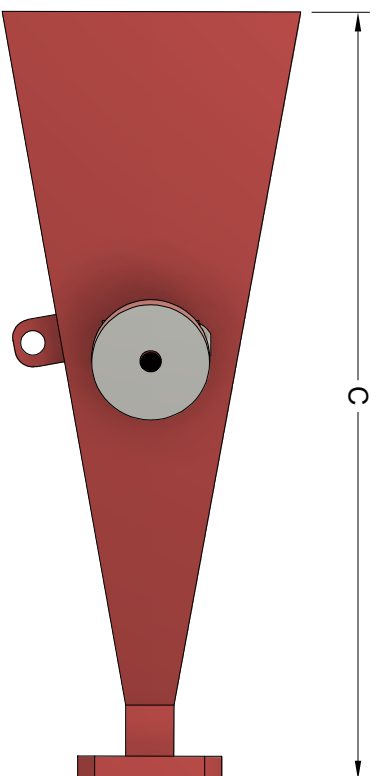
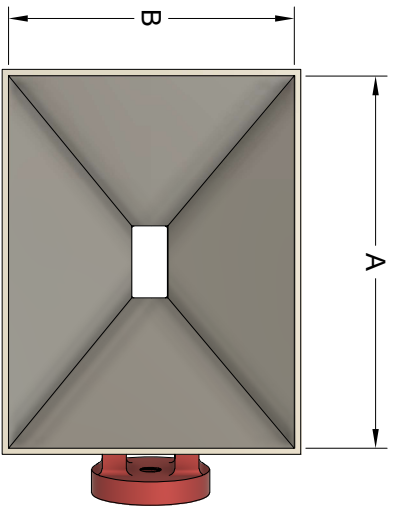
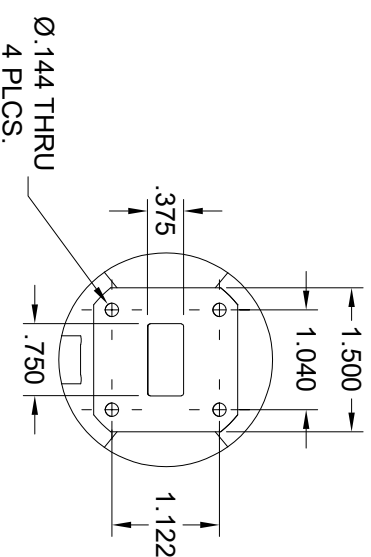


REVISION HISTORY

REV	DESCRIPTION	DATE	APPROVED
A	INITIAL RELEASE	7/29/2022	DA



1/4-20 UNC - 2B THRU
FOR TRIPOD MOUNTING



DETAIL A
SCALE 1:2

WR75 20dB GAIN HORN ANTENNA							
WG SIZE	FREQ. (GHz)	GAIN (dB)	3dB Beam Width (E-Plane)	3dB Beam Width (H-Plane)	Dim. A (in)	Dim. B (in)	Dim. C (in)
WR75	10-15	20	16.3°	17.2°	3.88	2.98	8.00

THIRD ANGLE PROJECTION:		APPROVALS		DATE	
UNLESS OTHERWISE NOTED DIMENSIONS ARE IN INCHES. TOLERANCES ARE:		DRAWN	Dirk Aubram	8/1/22	
FRACTIONS: ±1/64 ANGLES: ±1/2° MACHINED FINISH: 63 OR BETTER		CHKD.			
DECIMALS		APRVD.			
2 PLACE	3 PLACE	MATERIAL	ALUMINUM		
±.03	±.005	TREATMENT	CHEMFILM		
		FINISH	RED		
SIZE PAGE CODE: ITI DRAWING#		DRAWING			
SCALE		WR75 20DB HORN ANTENNA, OUTLINE			
1:2		6CDA9	OTL75-20-ITI		
		MODEL#	SGH75-20-ITI		
		REVISION	A		
		SHEET	1/1		

