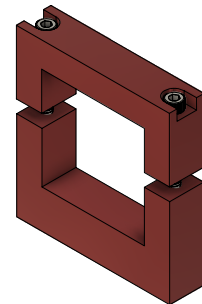
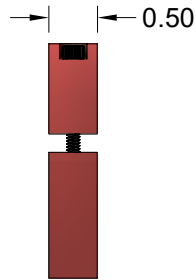
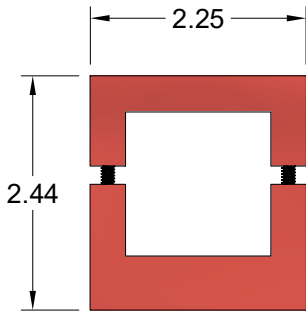
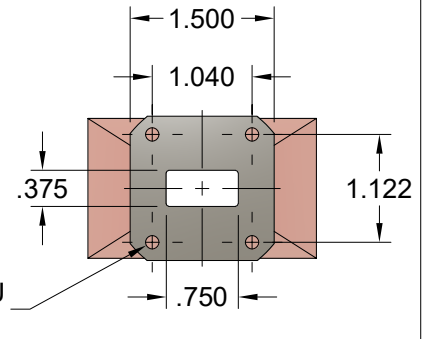
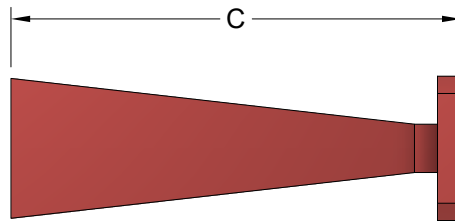
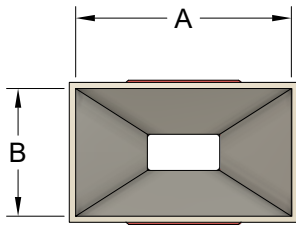
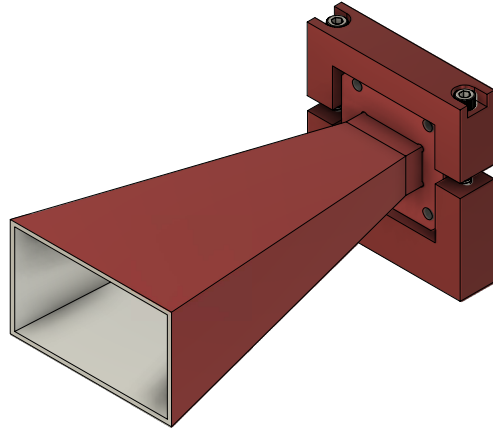


REVISION HISTORY

REV	DESCRIPTION	DATE	APPROVED
A	INITIAL RELEASE	8/1/2022	DA



1/4-20 UNC - 2B, ∇ 0.375
FOR TRIPOD MOUNTING

WR75 15dB GAIN HORN ANTENNA

WG SIZE	FREQ. (GHz)	GAIN (dB)	3dB Beam Width (E-Plane)	3dB Beam Width (H-Plane)	Dim. A (in)	Dim. B (in)	Dim. C (in)
WR75	10-15	15	35.4°	28.5°	2.25	1.33	4.69

THIRD ANGLE PROJECTION:		APPROVALS	DATE				
UNLESS OTHERWISE NOTED, DIMENSIONS ARE IN INCHES, TOLERANCES ARE: FRACTIONS: $\pm 1/64$ ANGLES: $\pm 1/2^\circ$ MACHINED FINISH: 63 OR BETTER		DRAWN Dirk Aubram	8/1/22				
		DRAWING WR75 15DB HORN ANTENNA, OUTLINE		SIZE	CAGE CODE	IT#	DRAWING#
DECIMALS		MATERIAL	ALUMINUM	6CDA9	OTL75-15-ITI		A
2 PLACE	3 PLACE	TREATMENT	CHEMFILM	SCALE	MODEL#	SGH75-15-ITI	SHEET
$\pm .03$	$\pm .005$	FINISH	RED	1:2			1/1