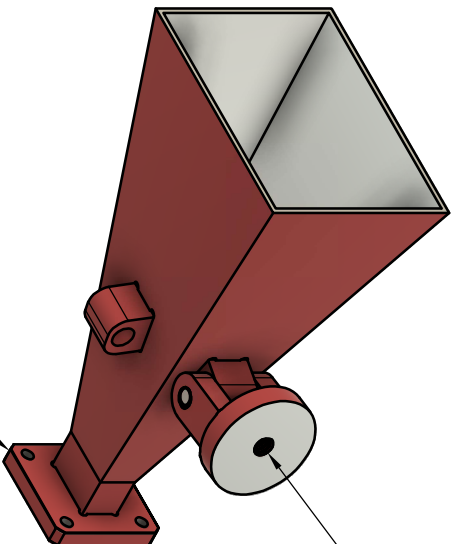
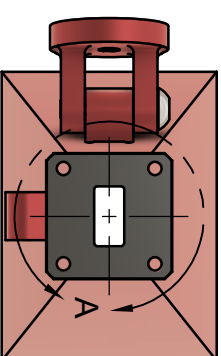
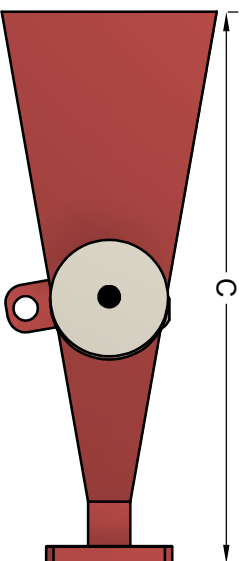
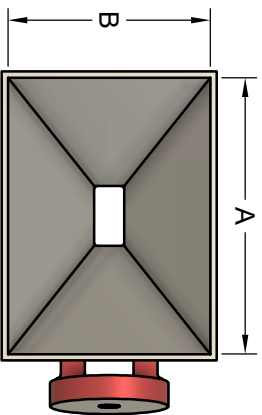


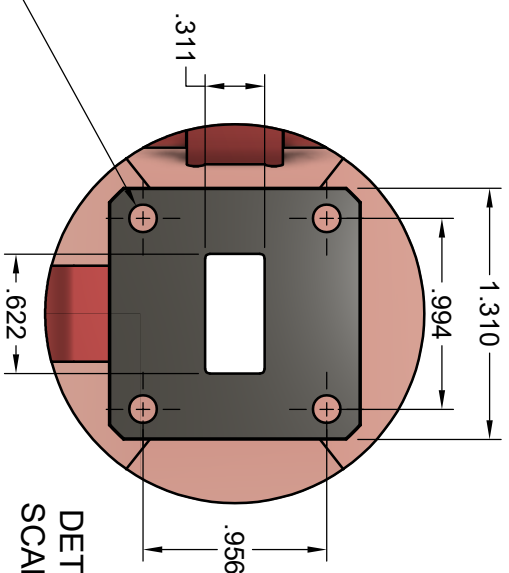
REVISION HISTORY

REV	DESCRIPTION	DATE	APPROVED
A	INITIAL RELEASE	7/29/2022	DA
B	ADDED FLANGE NAMING	9/19/2022	DA
C	REVISED MODEL# AND DWG#	9/29/2022	DA



1/4-20 UNC - 2B THRU FOR TRIPOD MOUNTING

4x Ø.144 Thru



DETAIL A
SCALE 1:1

COVER FLANGE, UG 1665/U EQUIV.

WR62 20dB GAIN HORN ANTENNA							
WG SIZE	FREQ. (GHz)	GAIN (dB)	3dB Beam Width (E-Plane)	3dB Beam Width (H-Plane)	Dim. A (in)	Dim. B (in)	Dim. C (in)
WR62	12.4-18	20	18.8°	18.9°	2.88	2.11	5.75

THIRD ANGLE PROJECTION:		APPROVALS		DATE	
UNLESS OTHERWISE NOTED DIMENSIONS ARE IN INCHES TOLERANCES ARE:		DRAWN	Dirk Aubrean	7/29/22	
FRACTIONS: ±1/64 ANGLES: ±1/2° MACHINED FINISH: 83 OR BETTER		CHECKD.			
DECIMALS		APPRVD.			
2 PLACE		MATERIAL	ALUMINUM		
3 PLACE		TREATMENT	CHEMFILM		
±.03		FINISH	RED		
SIZE PAGE CODE			DRAWING#		
SCALE			MODEL#		
1:4			SGH62-20-ITI		
DRAWING					
WR62 20dB HORN ANTENNA OUTLINE					
REVISION					
C					
SHEET					
1/1					



DRAWING

WR62 20dB HORN ANTENNA OUTLINE