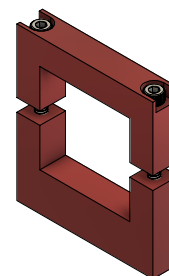
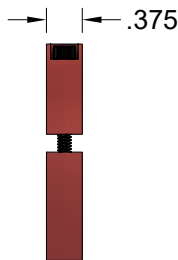
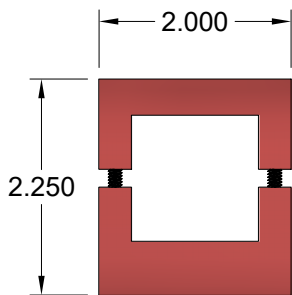
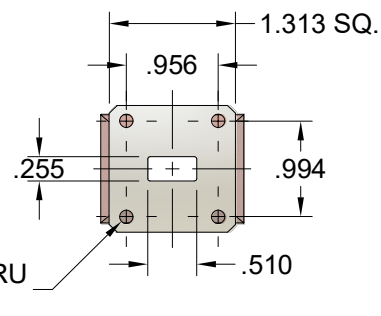
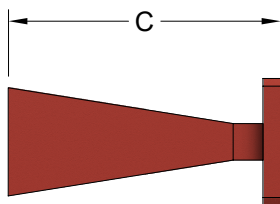
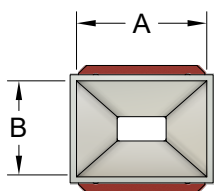
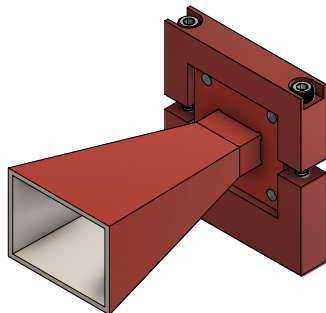


REVISION HISTORY

REV	DESCRIPTION	DATE	APPROVED
A	INITIAL RELEASE	7/28/2022	DA



1/4-20 UNC - 2B  
 ▽ 0.375

WR51 15dB GAIN HORN ANTENNA							
WG SIZE	FREQ. (GHz)	GAIN (dB)	3dB Beam Width (E-Plane)	3dB Beam Width (H-Plane)	Dim. A (in)	Dim. B (in)	Dim. C (in)
WR51	15-22	15	32.0°	31.8°	1.36	1.00	2.84

THIRD ANGLE PROJECTION:	UNLESS OTHERWISE NOTED, DIMENSIONS ARE IN INCHES, TOLERANCES ARE:  FRACTIONS: ±1/64 ANGLES: ±1/2° MACHINED FINISH: 63 OR BETTER	APPROVALS	DATE	
		DRAWN Dirk Aubram	7/28/22	
		CHCKD.		
		APRVD.		
DECIMALS		MATERIAL		DRAWING WR51 15DB HORN ANTENNA OUTLINE
2 PLACE	3 PLACE	ALUMINUM	SIZE CAGE CODE ITI DRAWING# 6CDA9 OTL51-15-ITI	
±.03	±.005	TREATMENT	SCALE MODEL# 1:2 SGH51-15-ITI	
		FINISH	RED	REVISION A SHEET 1/1