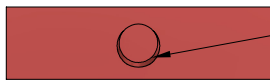
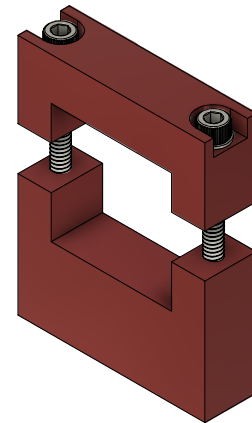
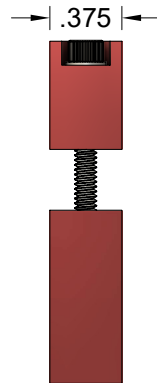
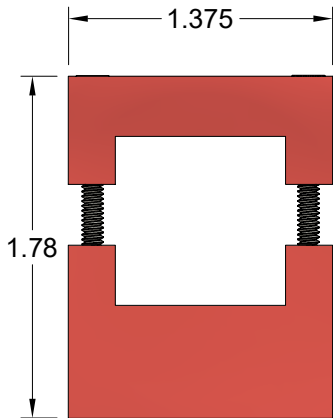
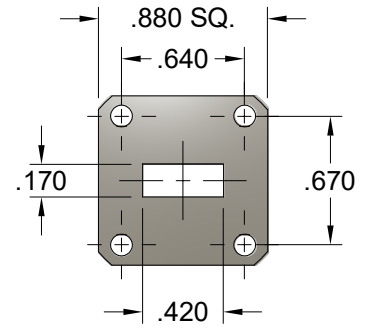
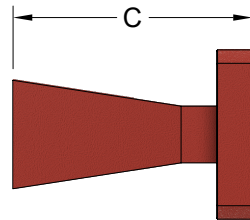
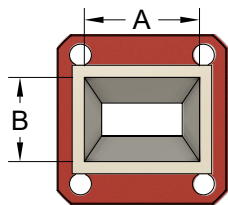
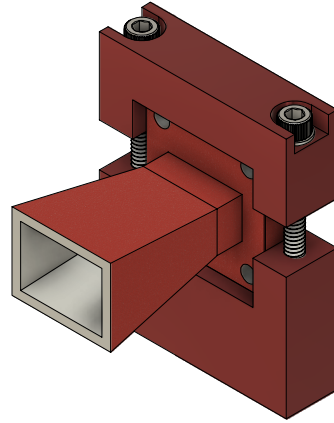


REVISION HISTORY

REV	DESCRIPTION	DATE	APPROVED
A	INITIAL RELEASE	7/28/2022	DA



1/4-20 UNC - 2B
 √0.300

WR42 10dB GAIN HORN ANTENNA							
WG SIZE	FREQ. (GHz)	GAIN (dB)	3dB Beam Width (E-Plane)	3dB Beam Width (H-Plane)	Dim. A (in)	Dim. B (in)	Dim. C (in)
WR42	18-26.5	10	58.0°	57.0°	0.6	0.44	1.25

THIRD ANGLE PROJECTION:

UNLESS OTHERWISE NOTED, DIMENSIONS ARE IN INCHES, TOLERANCES ARE:
 FRACTIONS: ±1/64 ANGLES: ±1/2°
 MACHINED FINISH: 63 OR BETTER

DECIMALS	
2 PLACE	3 PLACE
±.03	±.005

APPROVALS	DATE
DRAWN Dirk Aubram	7/28/22
CHCKD.	
APRVD.	
MATERIAL ALUMINUM	
TREATMENT CHEMFILM	
FINISH RED	

		DRAWING WR42 10dB Horn Antenna, SINGLE PART		REVISION
				A
SIZE	CAGE CODE	ITIT DRAWING#	MODEL#	SHEET
	6CDA9	OTL42-10-ITI	SGH42-10-ITI	1/1
SCALE				
1:1				