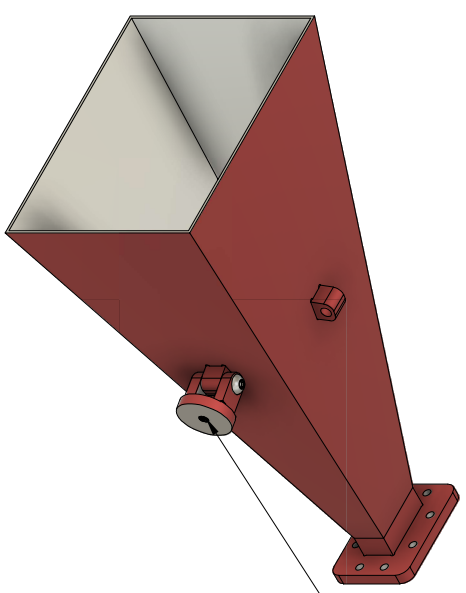
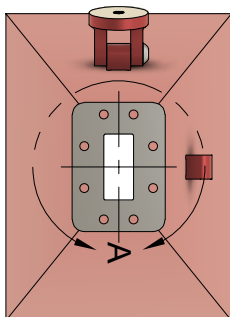
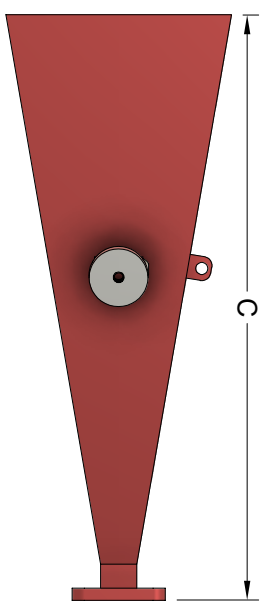
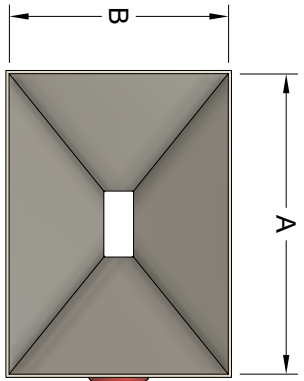
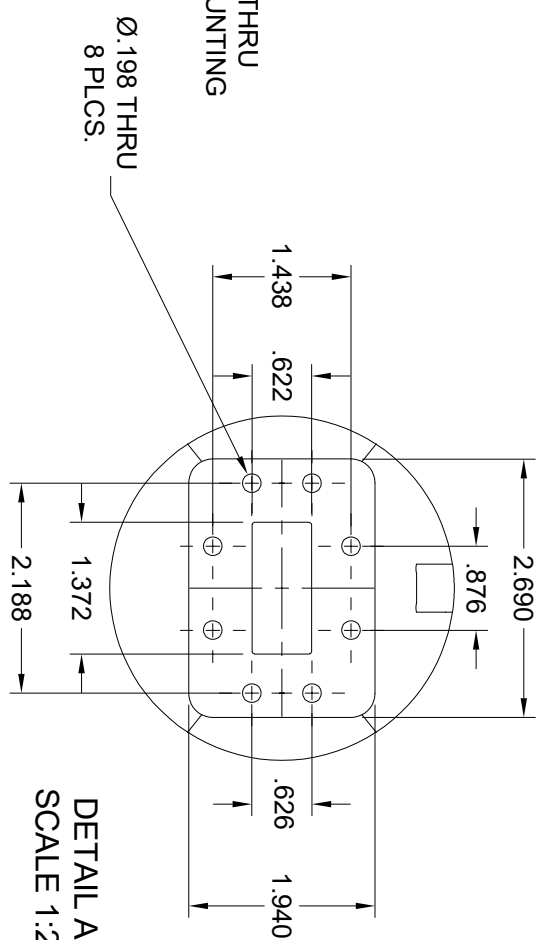


REVISION HISTORY

REV	DESCRIPTION	DATE	APPROVED
A	INITIAL RELEASE	8/3/2022	DA



1/4-20 UNC - 2B THRU FOR TRIPOD MOUNTING



DETAIL A
SCALE 1:2

WR137 20dB GAIN HORN ANTENNA							
WG SIZE	FREQ. (GHz)	GAIN (dB)	3dB Beam Width (E-Plane)	3dB Beam Width (H-Plane)	Dim. A (in)	Dim. B (in)	Dim. C (in)
WR137	5.85-8.2	20	18.7°	18.8°	6.26	4.57	12.19

THIRD ANGLE PROJECTION:		APPROVALS		DATE	
UNLESS OTHERWISE NOTED DIMENSIONS ARE IN INCHES TOLERANCES ARE:		DRAWN	Dirk Aulobram	8/3/22	
FRACTIONS: ±1/64 ANGLES: ±1/2° MACHINED FINISH: 63 OR BETTER		CHKD.			
DECIMALS		APRVD.			
2 PLACE		MATERIAL	ALUMINUM 6061		
3 PLACE		TREATMENT	CHEMFILM		
±.03		FINISH	RED		
SIZE			PAGE CODE		
SCALE			DRAWING#		
1:5			6CDA9		
MODEL#			SGH137-20-ITI		
DRAWING			WR137 20DB GAIN HORN OUTLINE		
REVISION			SHEET		
A			1/1		



DRAWING

WR137 20DB GAIN HORN OUTLINE