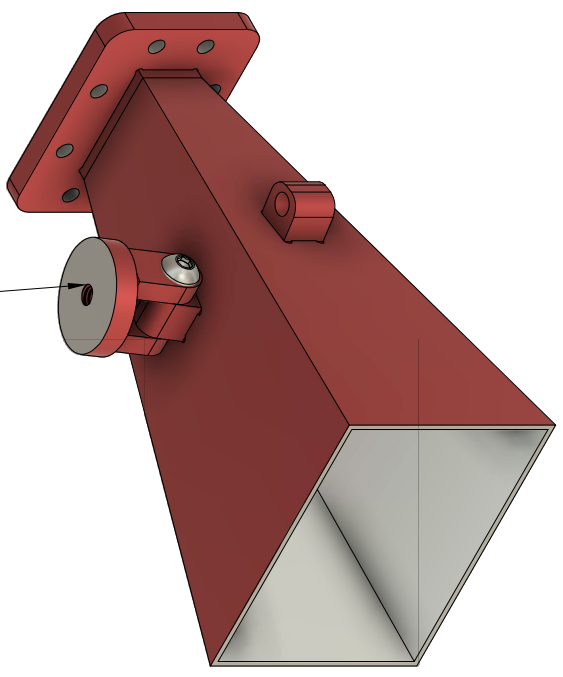
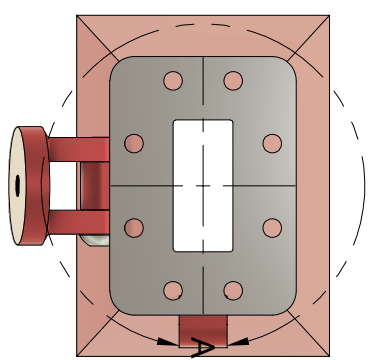
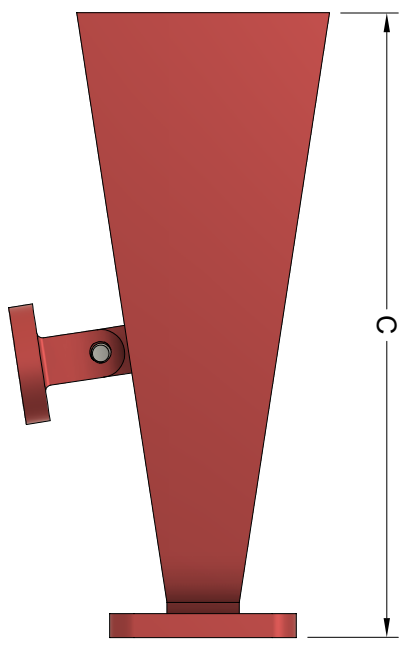
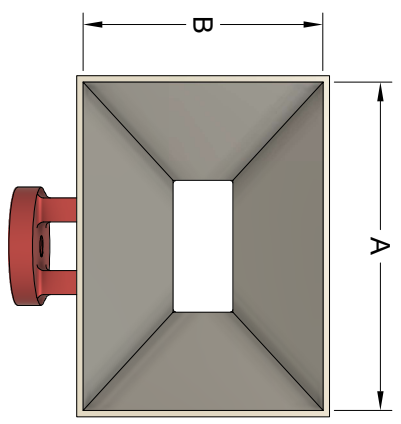
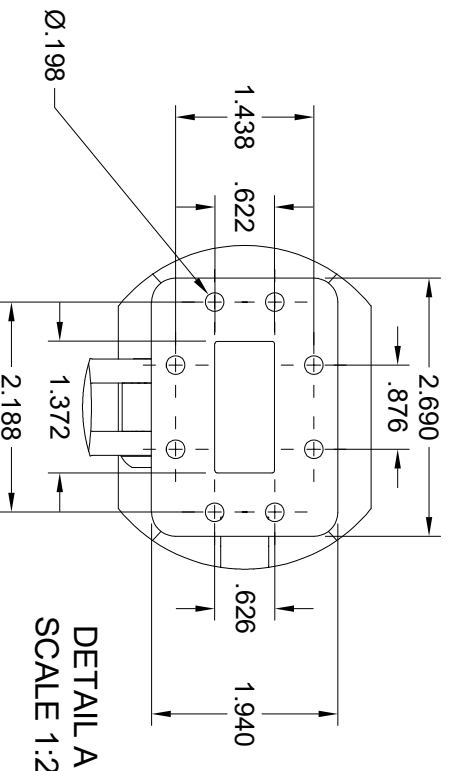


REVISION HISTORY

REV	DESCRIPTION	DATE	APPROVED
A	INITIAL RELEASE	8/3/2022	DA



1/4-20 UNC - 2B THRU FOR TRIPOD MOUNTING



WR137 15dB GAIN HORN ANTENNA							
WG SIZE	FREQ. (GHz)	GAIN (dB)	3dB Beam Width (E-Plane)	3dB Beam Width (H-Plane)	Dim. A (in)	Dim. B (in)	Dim. C (in)
WR137	5.85-8.2	15	33.7°	33.2°	3.42	2.5	6.51

THIRD ANGLE PROJECTION:		APPROVALS		DATE	
UNLESS OTHERWISE NOTED DIMENSIONS ARE IN INCHES TOLERANCES ARE:		DRAWN	Dijk Aubraam	8/3/22	
FRACTIONS: ±1/64 ANGLES: ±1/2° MACHINED FINISH: B3 OR BETTER		CHECKD.			
DECIMALS		APPRVD.			
2 PLACE		MATERIAL	ALUMINUM		
3 PLACE		TREATMENT	CHEMFILM		
±.03		FINISH	RED		
DRAWING					
WR137 15DB GAIN HORN, OUTLINE					
SCALE		SIZE	PAGE CODE	MODEL#	REVISION
1:3		6CDA9		SGH137-15-ITI	A
					1/1

