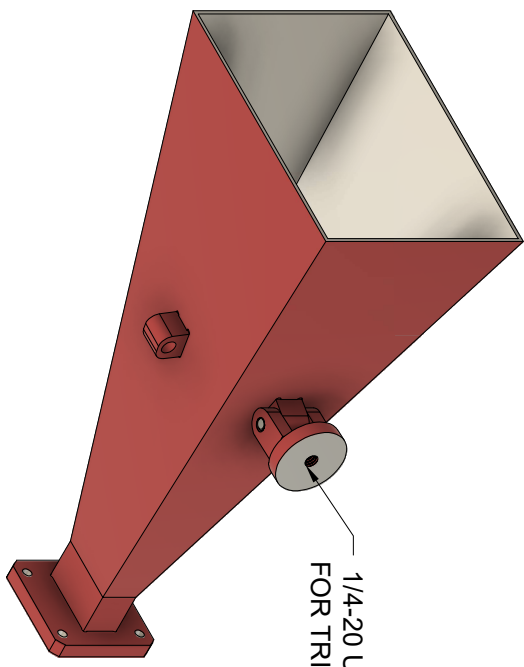
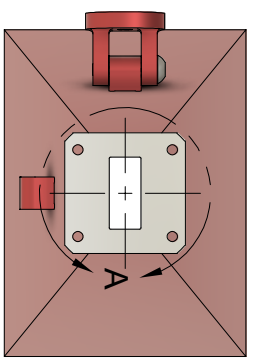
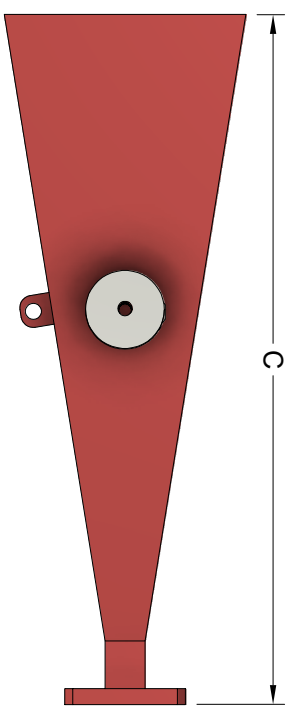
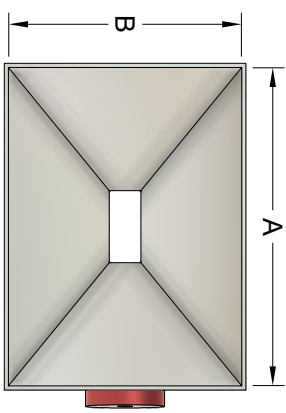


REVISION HISTORY

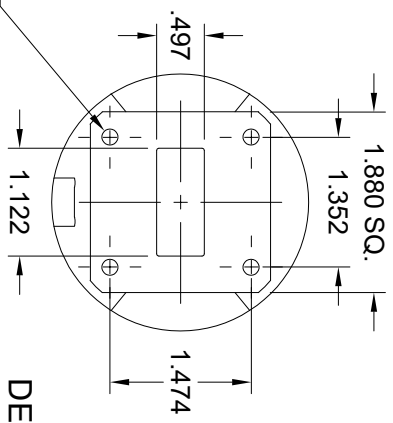
REV	DESCRIPTION	DATE	APPROVED
A	INITIAL RELEASE	8/3/2022	DA



1/4-20 UNC - 2B THRU FOR TRIPOD MOUNTING

Ø.169 THRU 4 PLCS.

DETAIL A SCALE 1:2



WR112 20dB GAIN HORN ANTENNA			
WG SIZE	FREQ. (GHz)	GAIN (dB)	3dB Beam Width (E-Plane)
WR112	7.05-10	20	19.3°
			3dB Beam Width (H-Plane)
			19.3°
			Dim. A (in)
			4.97
			Dim. B (in)
			3.64
			Dim. C (in)
			10.78

THIRD ANGLE PROJECTION:

APPROVALS

DATE

UNLESS OTHERWISE NOTED DIMENSIONS ARE IN INCHES TOLERANCES ARE:

DRAWN: Dirk Aulobram 8/3/22

IMPULSE TECHNOLOGIES INC.

FRACTIONS: 3/164 ANGLES: ±1/2° MACHINED FINISH: 63 OR BETTER

APRVD:

DRAWING

DECIMALS

MATERIAL: ALUMINUM

WR112 20DB HORN ANTENNA

2 PLACE ±.03

TREATMENT: CHEMFILM FINISH: RED

SIZE: PAGE CODE: 6CDA9 MODEL#: SGH112-20-ITI

