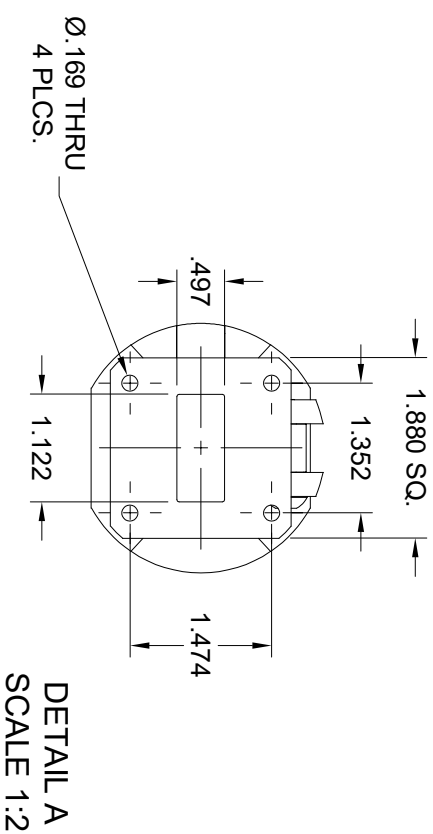
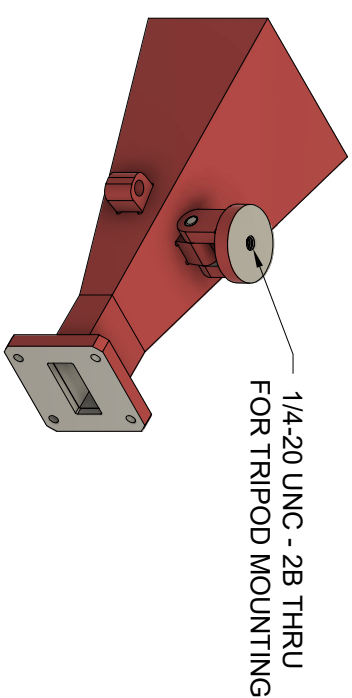
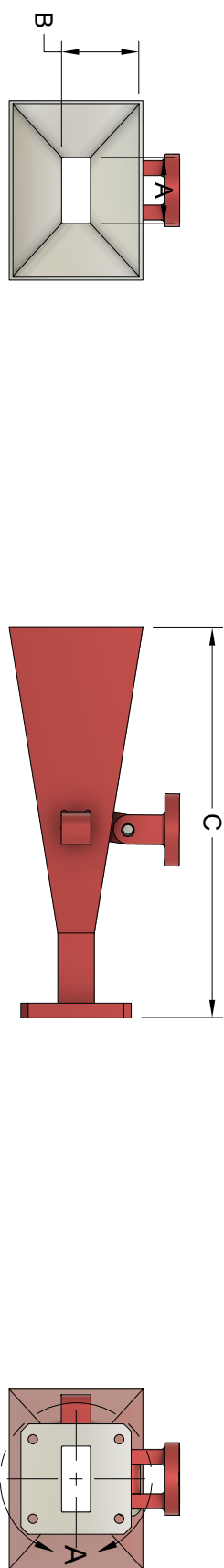


REVISION HISTORY

REV	DESCRIPTION	DATE	APPROVED
A	INITIAL RELEASE	8/2/2022	DA



WR112 15dB GAIN HORN ANTENNA							
WG SIZE	FREQ. (GHz)	GAIN (dB)	3dB Beam Width (E-Plane)	3dB Beam Width (H-Plane)	Dim. A (in)	Dim. B (in)	Dim. C (in)
WR112	7.05-10	15	32.4°	32.0°	2.93	2.15	6.65

THIRD ANGLE PROJECTION:		APPROVALS	DATE
-------------------------	--	-----------	------

UNLESS OTHERWISE NOTED DIMENSIONS ARE IN INCHES. TOLERANCES ARE: FRACTIONS: ±1/64 ANGLES: ±1/2° MACHINED FINISH: 63 OR BETTER

DRAWN: Dik Aubram	DATE: 8/2/22	SIZE: PAGE CODE	DRAWING#: 6CDA9	MODEL#: OTL112-15-ITI	REVISION: A
CHKD:		SCALE: 1:3			SHEET: 1/1
APRVD:		FINISH: RED			
MATERIAL: ALUMINUM	TREATMENT: CHEMFILM				
DECIMALS: 2 PLACE	3 PLACE				
±.03	±.005				



DRAWING

WR112 15DB HORN ANTENNA, OUTLINE