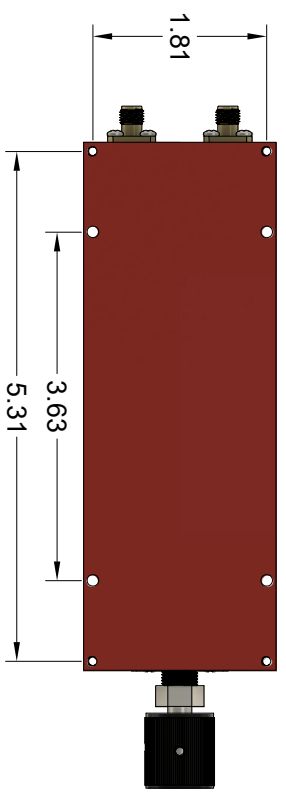
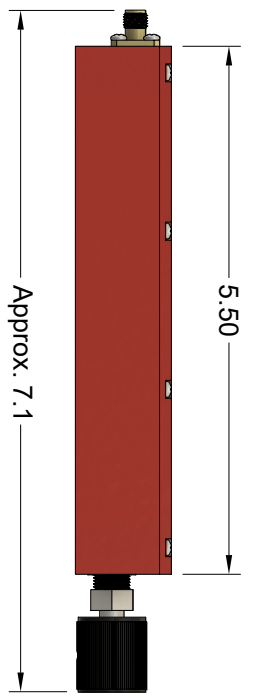
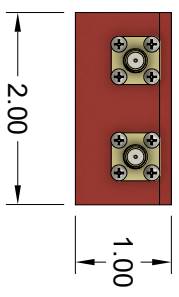
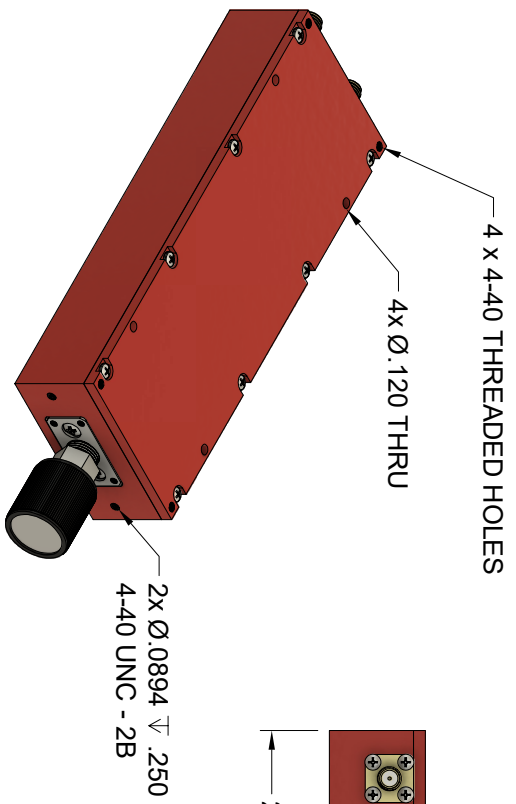


REVISION HISTORY			
REV	DESCRIPTION	DATE	APPROVED
A	INITIAL RELEASE	12/11/2022	DA

5.50" MANUAL ADJUSTABLE PHASESHIFTER



MANUAL ADJUST 60° PHASE SHIFTERS				
Model #	Freq. (GHz)	Min. Phase Adjust	I.L. (dB max.)	VSWR max
P55003-ITI	DC-2.3	0-60°/GHz	0.5	1.5
P55004-ITI	DC-4.3	0-60°/GHz	0.5	1.5
P55005-ITI	DC-8.2	0-60°/GHz	0.6	1.5
P55006-ITI	DC-12.7	0-60°/GHz	0.7	1.5
P55007-ITI	DC-18.6	0-60°/GHz	1.0	1.6
P55008-ITI	DC-26.5	0-60°/GHz	1.5	2.0

Electrical		General Specifications		Mechanical	
RF Power: 100W avg., 3kW peak		Size: 5.50" x 2.0" x 1.0"		Body: Aluminum	
RF Connectors: SMA F		Min. Adj. Phase Shift: 0 to 60°/GHz		Control: 1/4" dia. multi-turn shaft	
Insertion Phase @ 1GHz: 320° (min. setting)		Finish: Urethane Paint Finish, Color Red			

THIRD ANGLE PROJECTION		APPROVALS		DATE		DRAWING		REVISION	
UNLESS OTHERWISE NOTED DIMENSIONS ARE IN INCHES. TOLERANCES ARE:		DRAWN: Dik Aubraam		12/11/22		5.5" PHASESHIFTER, OUTLINE		A	
FRACTIONS: 1/64 ANGLES: ±1/2° MACHINED FINISH: 83 OR BETTER		CHECKD:				PAGE CODE: ITT DRAWING# 6CDA9		SHEET 1/1	
DECIMALS		APPRVD:				MODEL#			
2 PLACE ±.01		MATERIAL				OTL5.5PHS-ITI			
3 PLACE ±.003		TREATMENT							
		FINISH							

