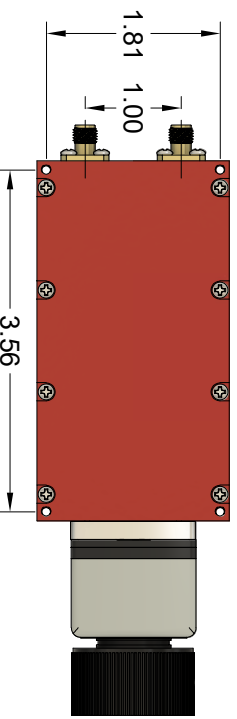
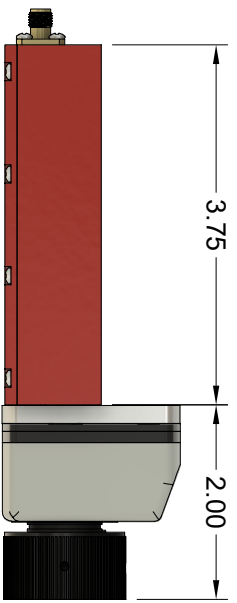
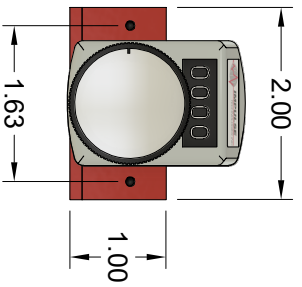
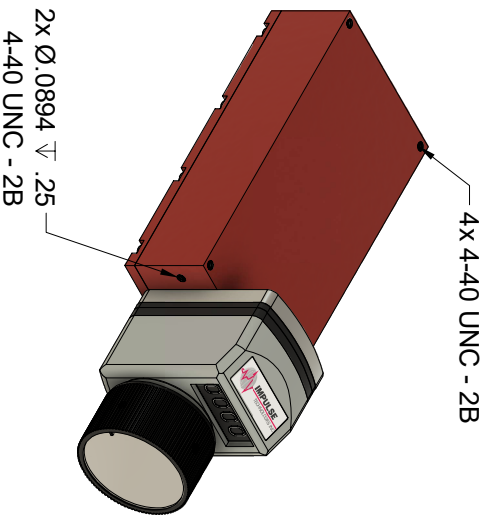


REVISION HISTORY

REV	DESCRIPTION	DATE	APPROVED
A	INITIAL RELEASE	12/6/2022	DA



30° PHASE SHIFTERS

Model #	Freq. (GHz)	Min. Phase Adjust	I.L. (dB max.)	VSWR max
P37503D-ITI	DC-2.3	0-30°/GHz	0.5	1.5
P37504D-ITI	DC-4.3	0-30°/GHz	0.5	1.5
P37505D-ITI	DC-8.2	0-30°/GHz	0.6	1.5
P37506D-ITI	DC-12.7	0-30°/GHz	0.7	1.5
P37507D-ITI	DC-18.6	0-30°/GHz	1.0	1.6
P37508D-ITI	DC-26.5	0-30°/GHz	1.5	2.0
P37508D-360-ITI	18.0-26.5	0-360°	1.5	1.8
P37509D-360-ITI(*)	18.0-40.0	0-360°	2.5	2.0

General Specifications

Electrical	Mechanical
<b>RF Power:</b> 100W avg., 3kW peak	<b>Size:</b> 3.75" x 2.0" x 1.0"
<b>RF Connectors:</b> SMA F / 2.9mm F(*)	<b>Body:</b> Aluminum
<b>Min. Adj. Phase Shift:</b> 0 to 30°/GHz	<b>Control:</b> 1/4" dia. multi-turn shaft
<b>Insertion Phase @ 1GHz:</b> 240° (min. setting)	<b>Finish:</b> Urethane Paint Finish, Color Red

THIRD ANGLE PROJECTION:	APPROVALS	DATE
UNLESS OTHERWISE NOTED DIMENSIONS ARE IN INCHES TOLERANCES ARE:	DRAWN: Dirk Aulobram	12/6/22
FRACTIONS: ±1/64 ANGLES: ±1/2° MACHINED FINISH: 83 OR BETTER	CHKD:	
DECIMALS	APPRVD:	
2 PLACE ±.01	MATERIAL:	
3 PLACE ±.003	TREATMENT:	
	FINISH:	



DRAWING  
3.75" PHASESHIFTER W/DIAL, OUTLINE

SIZE: 6CDA9	CAGE CODE: ITI	DRAWING#: OTL375PHSD-ITI	REVISION: A
SCALE: 1:2	MODEL#: SEE TABLE		SHEET: 1/1